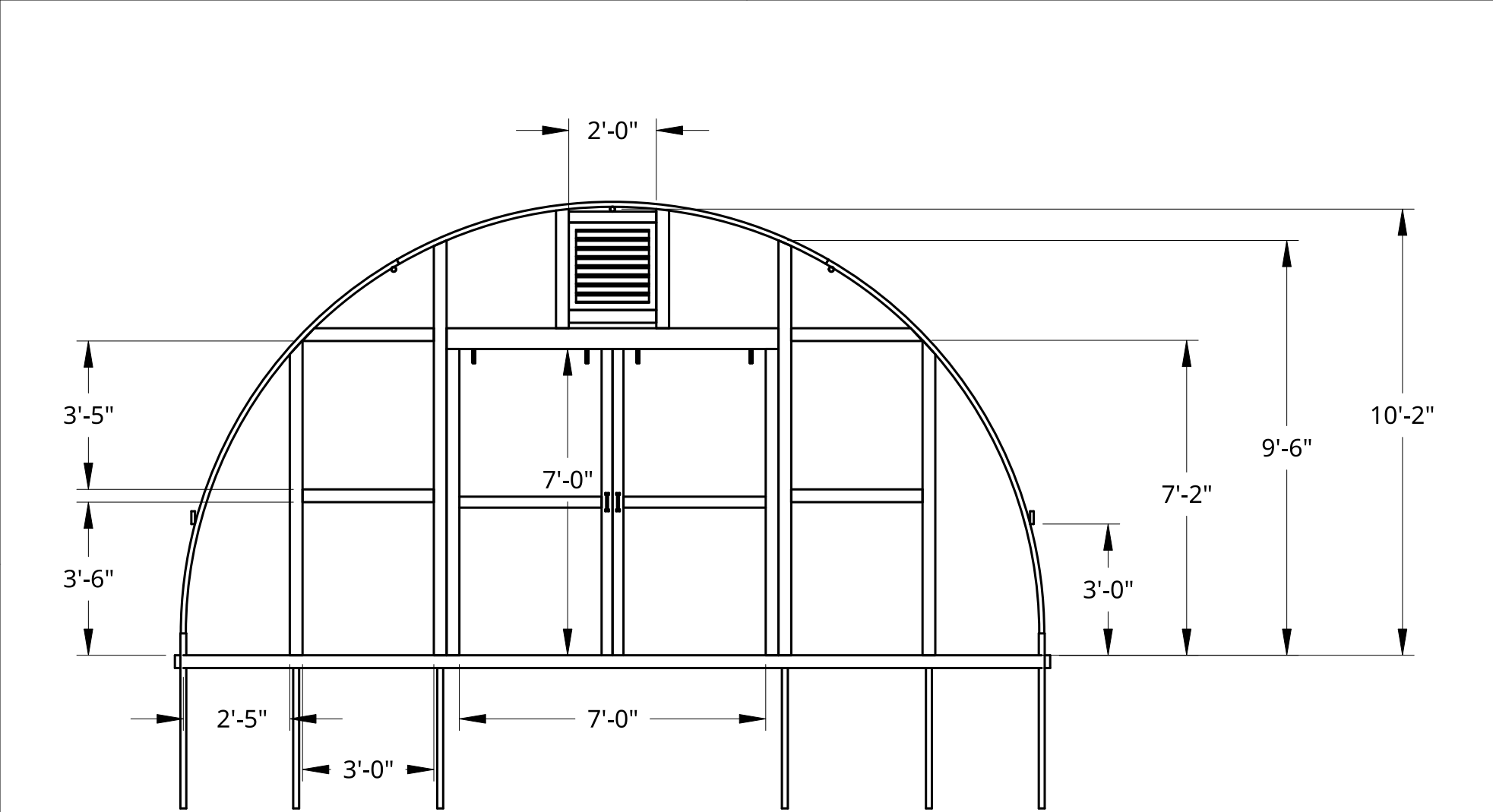


1	1.375" OD Arc
2	1.625" OD Post
3	Wood Framing
4	2"x12" Dual Sliding Door Header
5	2'x2' Hot Air Vent
6	7' x 7' Bay Door
7	1"x4" Roll-Up Board

WIND LOAD - 65 MPH  
 SNOW LOAD - 30 PSF

UNLESS OTHERWISE SPECIFIED, DIMENSIONS ARE IN INCHES .XX = ±.0- .XXX = ±.00- .XXXX = ±.000-		NAME	DATE	Roberts Ranch Hoophouses	
SURFACE FINISH ✓		DRAWN	RICA JANE ABING	08/08/2024	TITLE  20' Wide Hoophouse Front View & BOM
DO NOT SCALE DRAWING		CHECKED	Kevin Roberts		
BREAK ALL SHARP EDGES AND REMOVE BURRS		APPROVED			
THIRD ANGLE PROJECTION 		MATERIAL	FINISH		SIZE <b>A</b>
		Galvanized Steel			DWG NO. <b>H20-1</b>
				SCALE 1:40	REV. <b>C</b>
				WEIGHT	SHEET 1 of 7

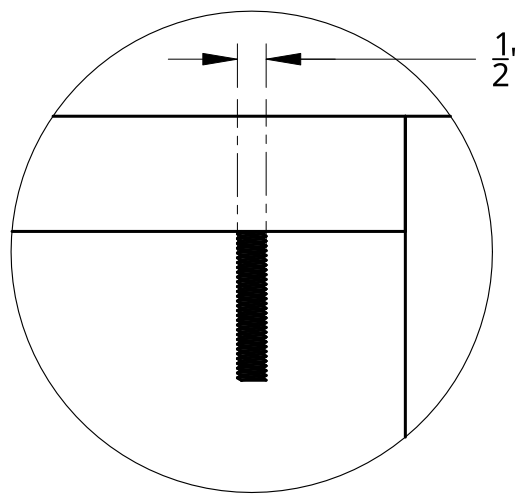
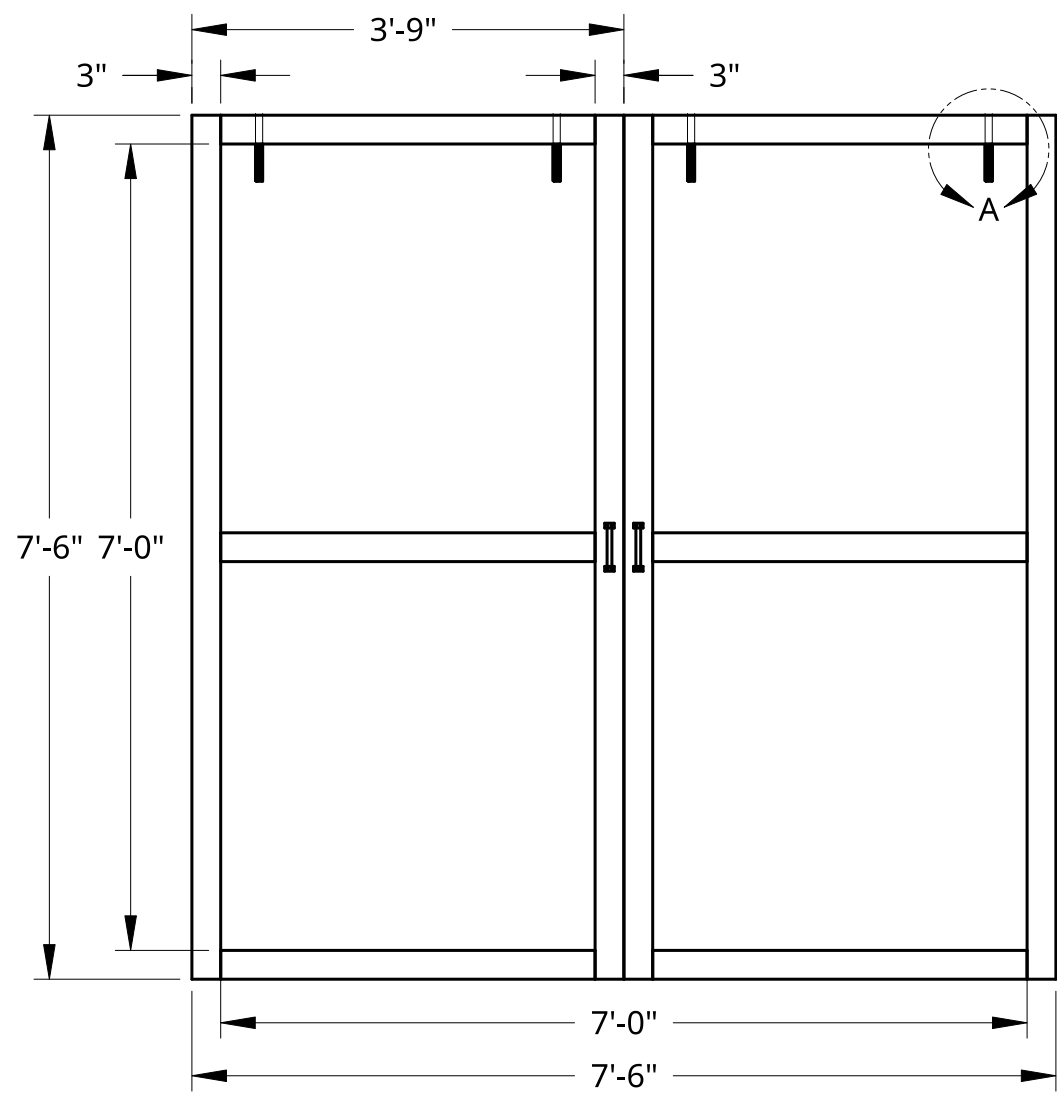


WIND LOAD - 65 MPH  
 SNOW LOAD - 30 PSF

UNLESS OTHERWISE SPECIFIED, DIMENSIONS ARE IN INCHES .XX = ±.0- .XXX = ±.00- .XXXX = ±.000- SURFACE FINISH ✓ DO NOT SCALE DRAWING BREAK ALL SHARP EDGES AND REMOVE BURRS THIRD ANGLE PROJECTION		NAME RICA JANE ABING	DATE 08/08/2024	Roberts Ranch Hoopouses	
ANGULAR = ± ° FRACTIONAL = ±		CHECKED Kevin Roberts		TITLE 20' Wide Hoopouse Dimensioned Font View	
MATERIAL Galvanized Steel		FINISH	SIZE A	DWG NO. H24-2	REV. C
			SCALE 1:40	WEIGHT	SHEET 2 of 7

2

1



DETAIL A  
1/2" Hole  
SCALE 1:5

B

B

A

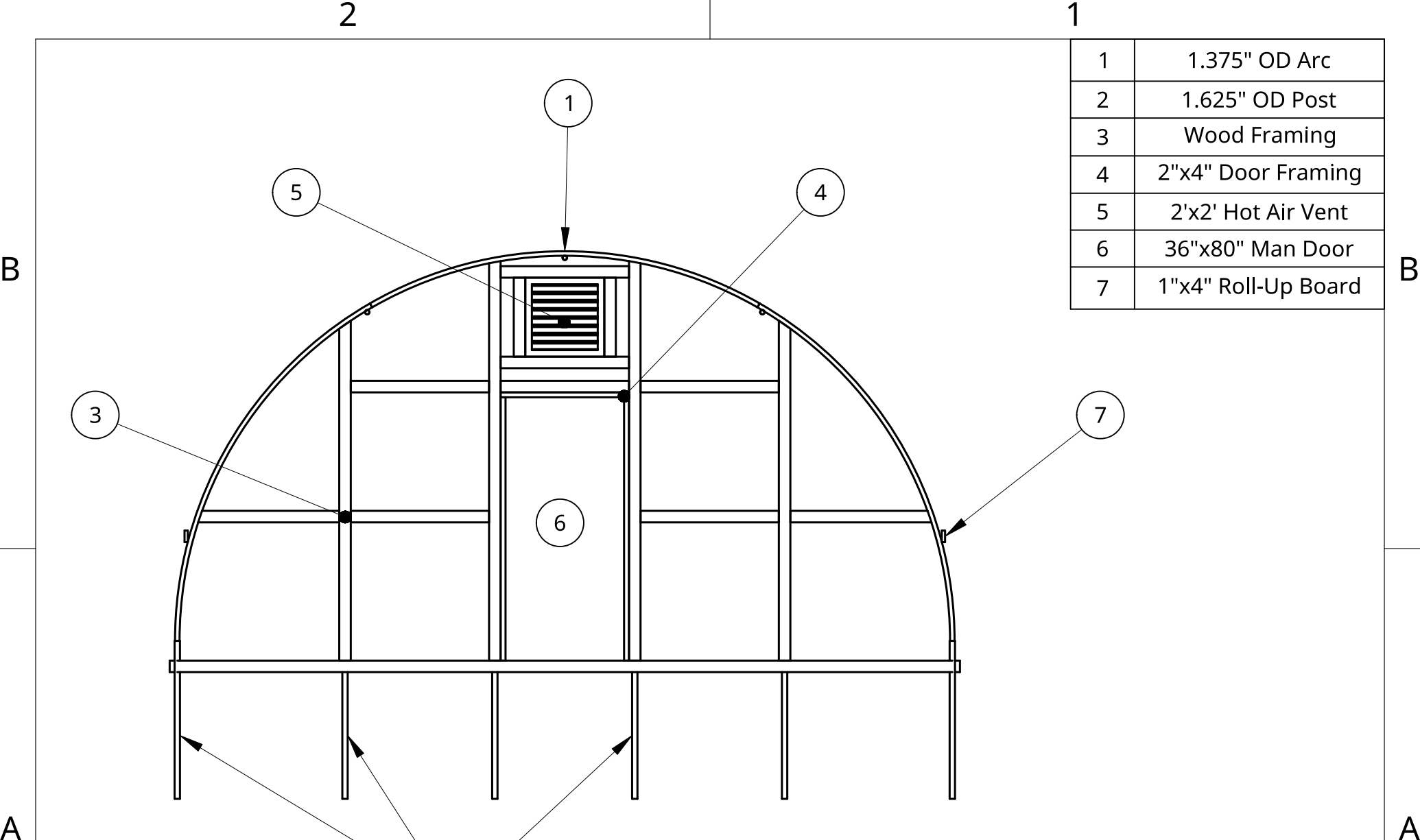
A

WIND LOAD - 65 MPH  
SNOW LOAD - 30 PSF

UNLESS OTHERWISE SPECIFIED, DIMENSIONS ARE IN INCHES .XX = ±.0- .XXX = ±.00- .XXXX = ±.000-		NAME	DATE	Roberts Ranch Hoophouses	
SURFACE FINISH		DRAWN	RICA JANE ABING	08/08/2024	TITLE <b>7' x 7' Dual Bay Door Blow-Up Plan &amp; Details</b>
DO NOT SCALE DRAWING		CHECKED	Kevin Roberts		
BREAK ALL SHARP EDGES AND REMOVE BURRS		APPROVED			
THIRD ANGLE PROJECTION		MATERIAL	FINISH		SIZE <b>A</b> DWG NO. <b>H24-3</b> REV. <b>C</b>
		Galvanized Steel		SCALE 1:20	WEIGHT SHEET 3 of 7

2

1



1	1.375" OD Arc
2	1.625" OD Post
3	Wood Framing
4	2"x4" Door Framing
5	2'x2' Hot Air Vent
6	36"x80" Man Door
7	1"x4" Roll-Up Board

WIND LOAD - 65 MPH  
 SNOW LOAD - 30 PSF

UNLESS OTHERWISE SPECIFIED,  
 DIMENSIONS ARE IN INCHES

.XX = ±.0-  
 .XXX = ±.00-  
 .XXXX = ±.000-

ANGULAR = ± °  
 FRACTIONAL = ±

SURFACE FINISH  ✓

DO NOT SCALE DRAWING

BREAK ALL SHARP EDGES AND  
 REMOVE BURRS

THIRD ANGLE PROJECTION

	NAME	DATE
DRAWN	RICA JANE ABING	07/12/2024
CHECKED	Kevin Roberts	
APPROVED		
MATERIAL	Galvanized Steel	
FINISH		

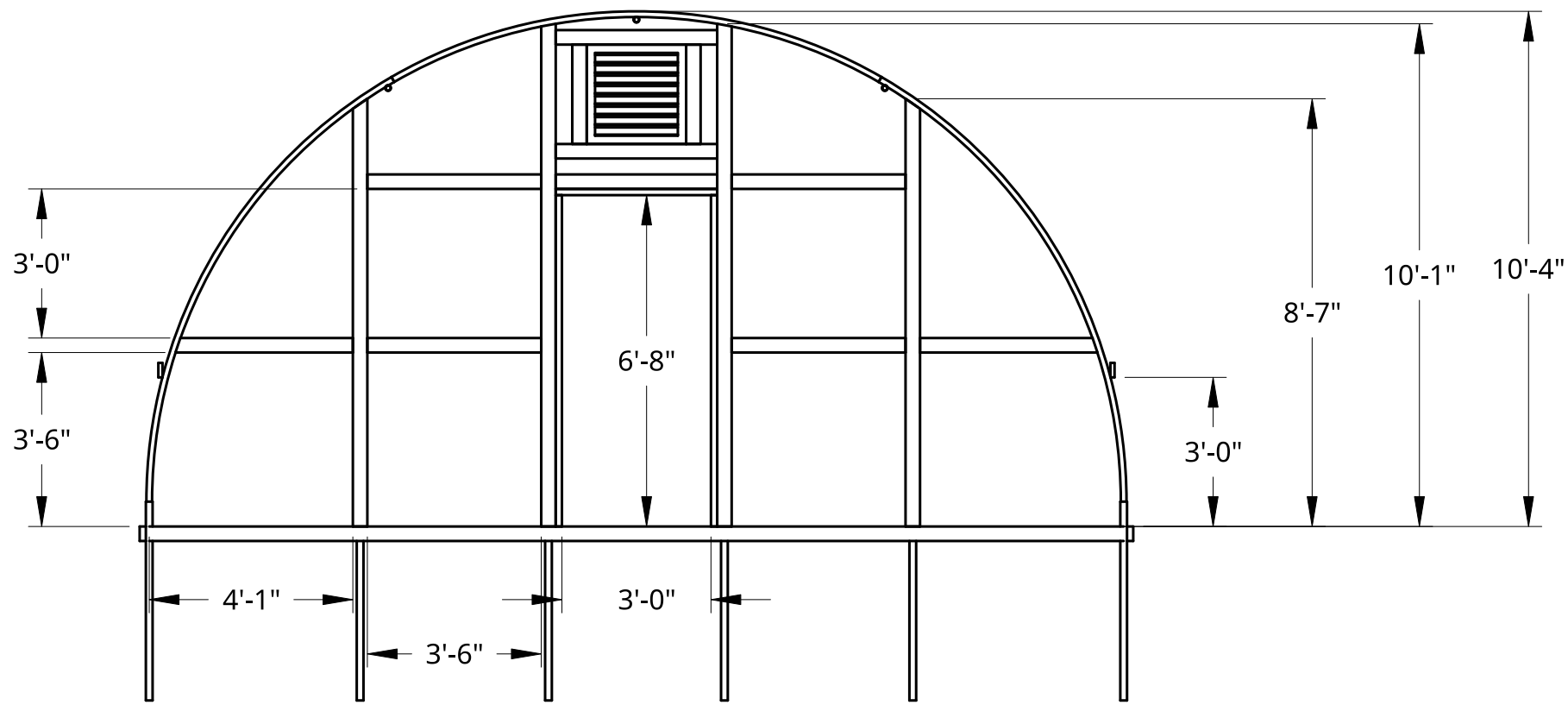
Roberts Ranch Hoophouses			
TITLE			
20' Wide Hoophouse Back View & BOM			
SIZE	DWG NO.	REV.	
A	H20-4	C	
SCALE	WEIGHT	SHEET	
1:40		4 of 7	

2

1

B

B



A

A

WIND LOAD - 65 MPH  
 SNOW LOAD - 30 PSF

UNLESS OTHERWISE SPECIFIED,  
 DIMENSIONS ARE IN INCHES

.XX = ±.0-  
 .XXX = ±.00-  
 .XXXX = ±.000-

ANGULAR = ± °  
 FRACTIONAL = ±

SURFACE FINISH

DO NOT SCALE DRAWING

BREAK ALL SHARP EDGES AND  
 REMOVE BURRS

THIRD ANGLE PROJECTION

	NAME	DATE
DRAWN	RICA JANE ABING	07/12/2024
CHECKED	Kevin Roberts	
APPROVED		
MATERIAL		FINISH
Galvanized Steel		

Roberts Ranch Hoopouses		
TITLE		
20' Wide Hoopouse Dimensioned Back View		
SIZE	DWG NO.	REV.
A	H24-5	C
SCALE	WEIGHT	SHEET
1:40		5 of 7

2

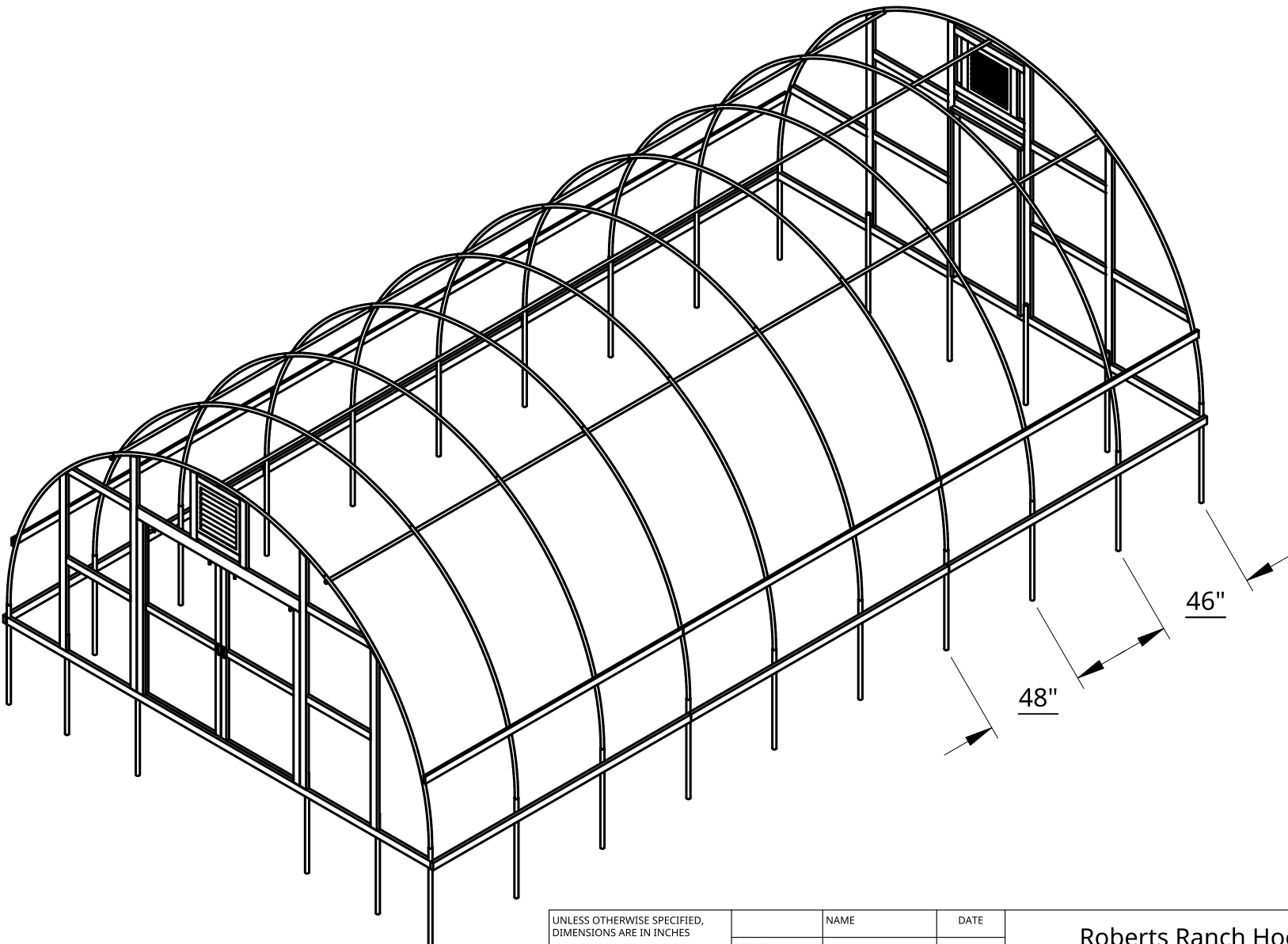
1

2

1

B

B



48"

46"

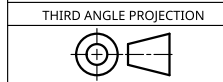
A

A

WIND LOAD - 65 MPH  
 SNOW LOAD - 30 PSF

UNLESS OTHERWISE SPECIFIED,  
 DIMENSIONS ARE IN INCHES  
 .XX = ±.0-  
 .XXX = ±.00-  
 .XXXX = ±.000-  
 SURFACE FINISH

DO NOT SCALE DRAWING  
 BREAK ALL SHARP EDGES AND  
 REMOVE BURRS



	NAME	DATE
DRAWN	RICA JANE ABING	08/08/2024
CHECKED	Kevin Roberts	
APPROVED		
MATERIAL	FINISH	
Galvanized Steel		

Roberts Ranch Hoopouses		
TITLE		
20' Wide Hoopouse Projected Views & BOM		
SIZE	DWG NO.	REV.
A	H20-6	C
SCALE 1:100	WEIGHT	SHEET 6 of 7

2

1

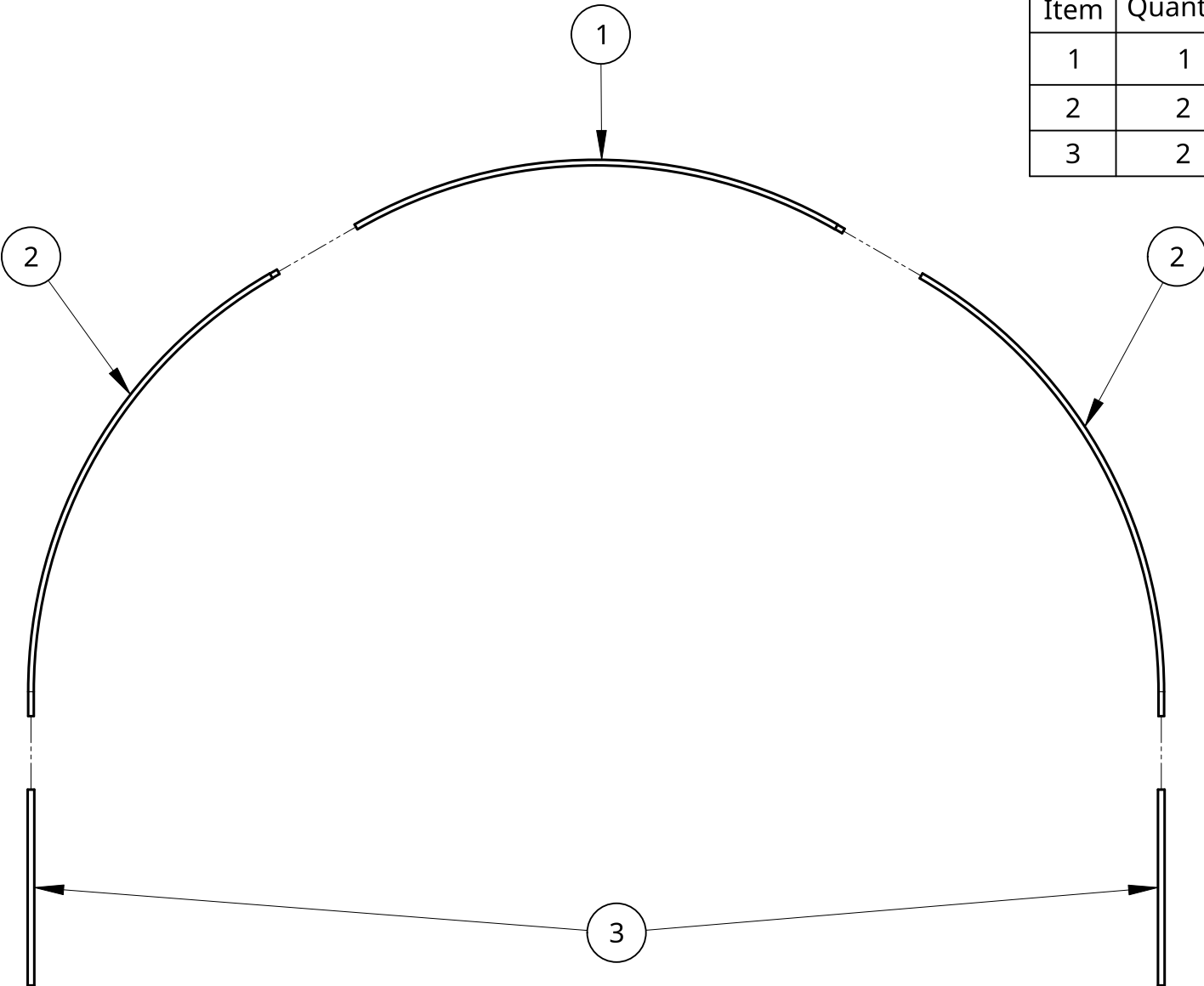
2

1

Item	Quantity	Description
1	1	1.375" OD Arc
2	2	1.375" OD Arc
3	2	1.625" OD Post

B

B



A

A

UNLESS OTHERWISE SPECIFIED,  
DIMENSIONS ARE IN INCHES  
.XX = ±.0-  
.XXX = ±.00-  
.XXXX = ±.000-  
SURFACE FINISH

DO NOT SCALE DRAWING

BREAK ALL SHARP EDGES AND REMOVE BURRS

THIRD ANGLE PROJECTION



	NAME	DATE
DRAWN	RICA JANE ABING	07/12/2024
CHECKED	Kevin Roberts	
APPROVED		

MATERIAL	FINISH
Galvanized Steel	

Roberts Ranch Hoophouses			
TITLE			
20' Wide Hoophouse Arch Exploded View			
SIZE	DWG NO.	REV.	
A	H20-7	C	
SCALE	WEIGHT	SHEET	
1:40		7 of 7	

WIND LOAD - 65 MPH  
SNOW LOAD - 30 PSF

2

1