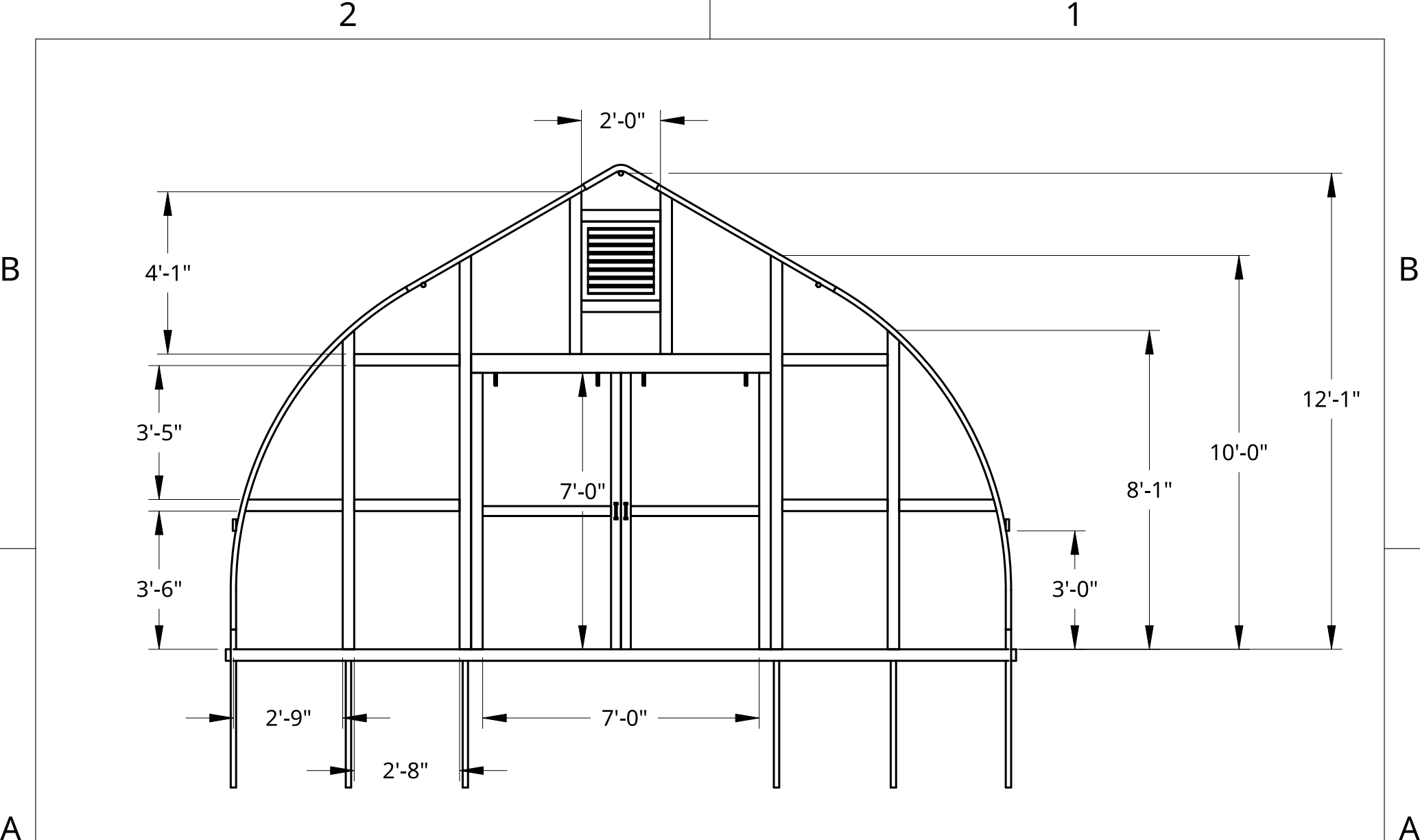


1	1.875" OD Peak
2	1.625" OD Truss
3	1.625" OD Arc
4	1.625" OD Post
5	2"x4" Wood Framing
6	2"x12" Dual Sliding Door Header
7	2'x2' Hot Air Vent
8	7'x7' Bay Door
9	1"x4" Roll-Up Board
10	1.375" OD Purlin

Wind Load - 65 MPH  
Snow Load - 30 PSF

UNLESS OTHERWISE SPECIFIED, DIMENSIONS ARE IN INCHES .XX = ±.0- .XXX = ±.00- .XXXX = ±.000- SURFACE FINISH <input checked="" type="checkbox"/>		NAME	DATE
DO NOT SCALE DRAWING	DRAWN	Rica Abing	08/07/2024
BREAK ALL SHARP EDGES AND REMOVE BURRS	CHECKED	Kevin Roberts	
THIRD ANGLE PROJECTION	APPROVED		
	MATERIAL	FINISH	
	Galvanized Steel		

Roberts Ranch Hoophouses			
TITLE			
20' Wide Gothic Hightunnel Front View			
SIZE	DWG NO.	REV.	
A	G20-1	C	
SCALE	WEIGHT	SHEET	
1:40		1 of 7	

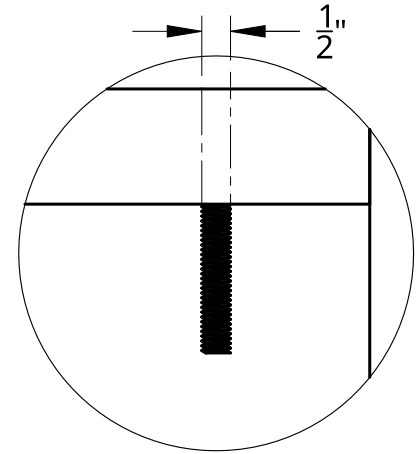
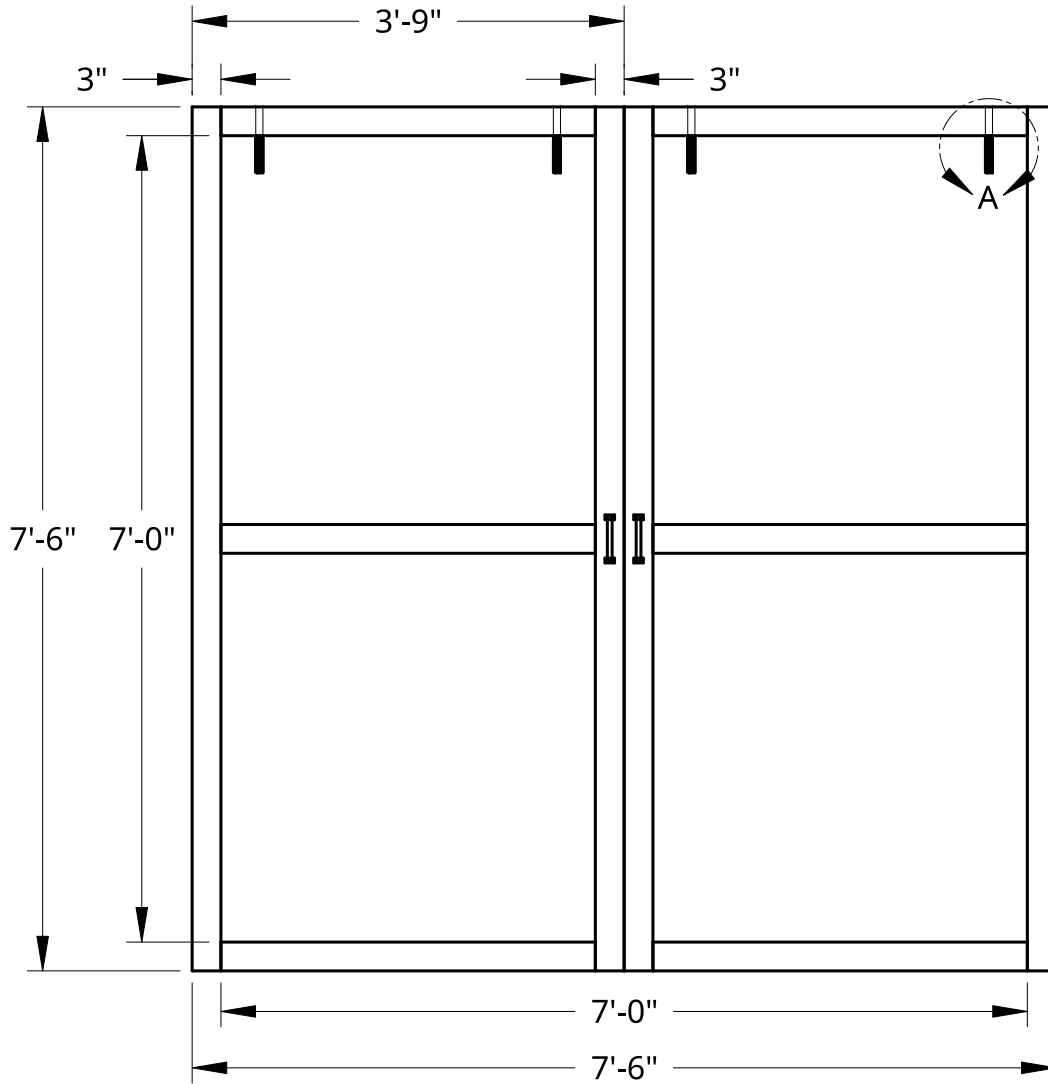


Wind Load - 65 MPH  
 Snow Load - 30 PSF

UNLESS OTHERWISE SPECIFIED, DIMENSIONS ARE IN INCHES .XX = ±.0- .XXX = ±.00- .XXXX = ±.000- SURFACE FINISH		NAME	DATE	Roberts Ranch Hoophouses	
DO NOT SCALE DRAWING	DRAWN	Rica Abing	08/07/2024	TITLE 20' Wide Gothic Hightunnel Dimensioned Front View	
BREAK ALL SHARP EDGES AND REMOVE BURRS	CHECKED	Kevin Roberts			
THIRD ANGLE PROJECTION 	APPROVED				
	MATERIAL	FINISH		SIZE	DWG NO.
	Galvanized Steel			A	G20-2
				SCALE	WEIGHT
				1:40	
				SHEET	2 of 7
				REV.	C

2

1



DETAIL A  
1/2" Hole  
SCALE 1:5

B

B

A

A

Wind Load - 65 MPH  
Snow Load - 30 PSF

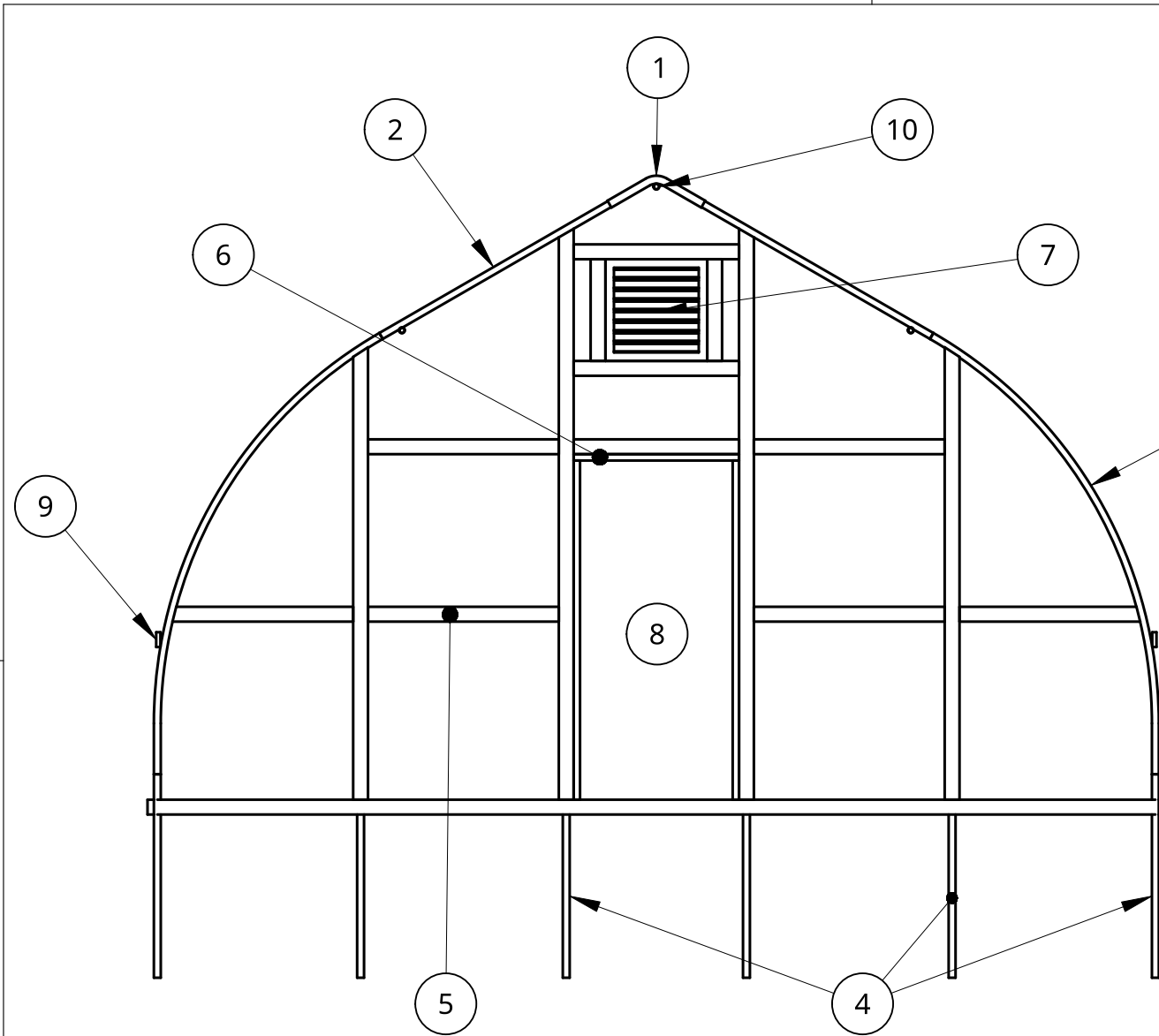
UNLESS OTHERWISE SPECIFIED, DIMENSIONS ARE IN INCHES	
.XX = ±.0-	ANGULAR = ± °
.XXX = ±.00-	FRACTIONAL = ±
.XXXX = ±.000-	
SURFACE FINISH	
DO NOT SCALE DRAWING	
BREAK ALL SHARP EDGES AND REMOVE BURRS	
THIRD ANGLE PROJECTION	

	NAME	DATE
DRAWN	Rica Abing	08/07/2024
CHECKED	Kevin Roberts	
APPROVED		
MATERIAL	FINISH	
Galvanized Steel		

Roberts Ranch Hoophouses		
TITLE		
7' x 7' Dual Bay Door Blow-Up Plan & Details		
SIZE	DWG NO.	REV.
A	G20-3	C
SCALE	WEIGHT	SHEET
1:40		3 of 7

2

1



1	1.875" OD Peak
2	1.625" OD Truss
3	1.625" OD Arc
4	1.625" OD Post
5	2"x4" Wood Framing
6	2"x4" Door Framing
7	2'x2' Hot Air Vent
8	36" x 80" Man Door
9	1"x4" Roll-Up Board
10	1.375" OD Purlin

Wind Load - 65 MPH  
Snow Load - 30 PSF

UNLESS OTHERWISE SPECIFIED,  
DIMENSIONS ARE IN INCHES

.XX = ±.0-  
.XXX = ±.00-  
.XXXX = ±.000-

ANGULAR = ± °  
FRACTIONAL = ±

SURFACE FINISH

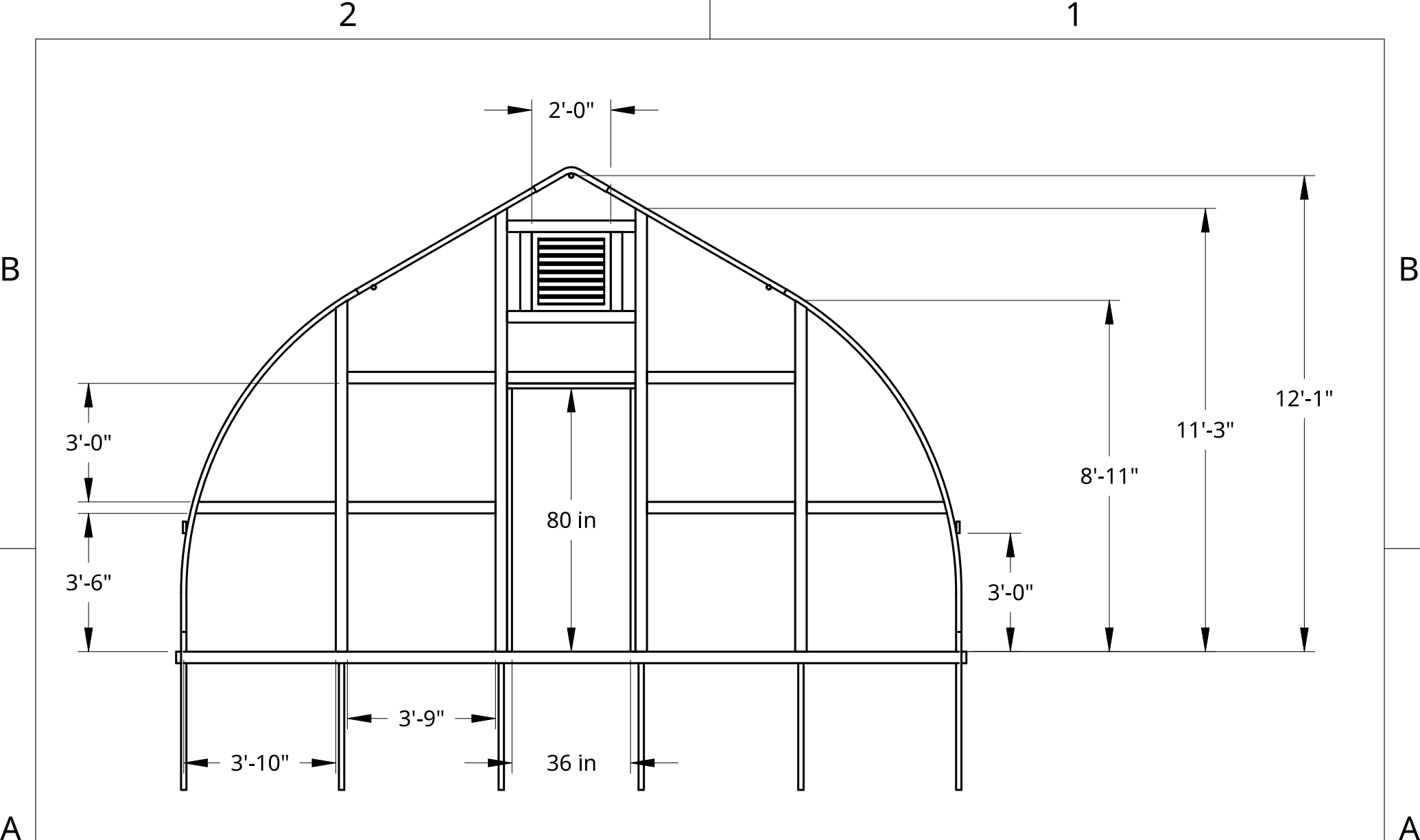
DO NOT SCALE DRAWING

BREAK ALL SHARP EDGES AND  
REMOVE BURRS

THIRD ANGLE PROJECTION

	NAME	DATE
DRAWN	Rica Abing	07/10/2024
CHECKED	Kevin Roberts	
APPROVED		
MATERIAL	Galvanized Steel	
FINISH		

Roberts Ranch Hoophouses		
TITLE 20' Wide Gothic Hightunnel Back View		
SIZE A	DWG NO. G20-4	REV. C
SCALE 1:40	WEIGHT	SHEET 4 of 7



Wind Load - 65 MPH  
 Snow Load - 30 PSF

UNLESS OTHERWISE SPECIFIED, DIMENSIONS ARE IN INCHES .XX = ±.0- .XXX = ±.00- .XXXX = ±.000-		NAME	DATE	Roberts Ranch Hoophouses	
DRAWN	Rica Abing	07/10/2024	TITLE		
CHECKED	Kevin Roberts		20' Wide Gothic Hightunnel Dimensioned Back View		
APPROVED			SIZE	DWG. NO.	REV.
DO NOT SCALE DRAWING			A	G20-5	C
BREAK ALL SHARP EDGES AND REMOVE BURRS			SCALE	WEIGHT	SHEET
THIRD ANGLE PROJECTION	MATERIAL	FINISH	1:40		5 of 7
	Galvanized Steel				

B

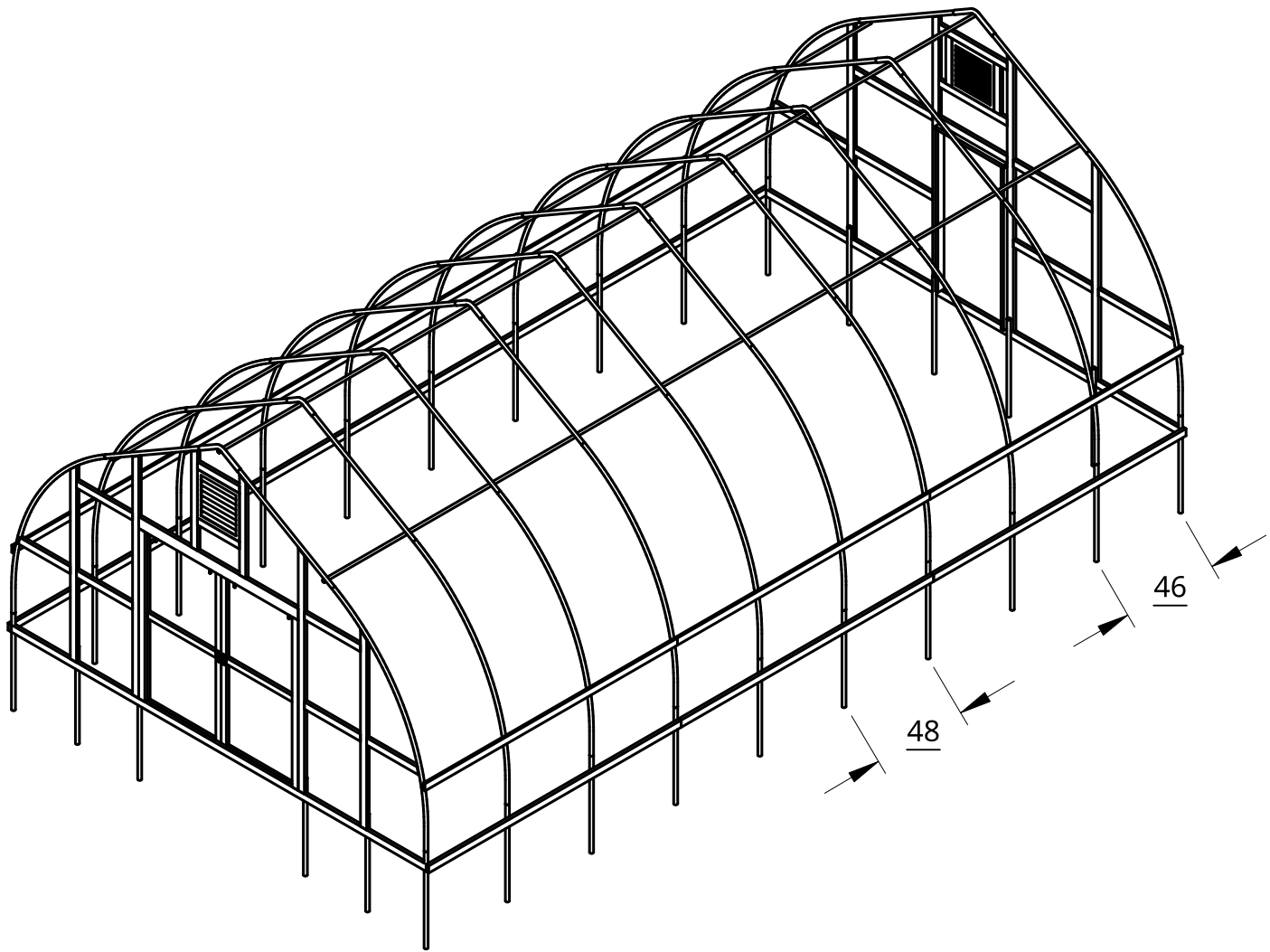
A

B

A

2

1



Wind Load - 65 MPH  
 Snow Load - 30 PSF

UNLESS OTHERWISE SPECIFIED, DIMENSIONS ARE IN INCHES .XX = ±.0- .XXX = ±.00- .XXXX = ±.000- SURFACE FINISH <input checked="" type="checkbox"/>		NAME	DATE	Roberts Ranch Hoophouses	
DO NOT SCALE DRAWING	DRAWN	Rica Abing	08/07/2024	TITLE 20' Wide Gothic Hightunnel Isometric View	
BREAK ALL SHARP EDGES AND REMOVE BURRS	CHECKED	Kevin Roberts			
THIRD ANGLE PROJECTION 	APPROVED				
	MATERIAL	FINISH	SIZE	DWG NO.	REV.
	Galvanized Steel		A	G20-6	C
			SCALE 1:70	WEIGHT	SHEET 6 of 7

2

1

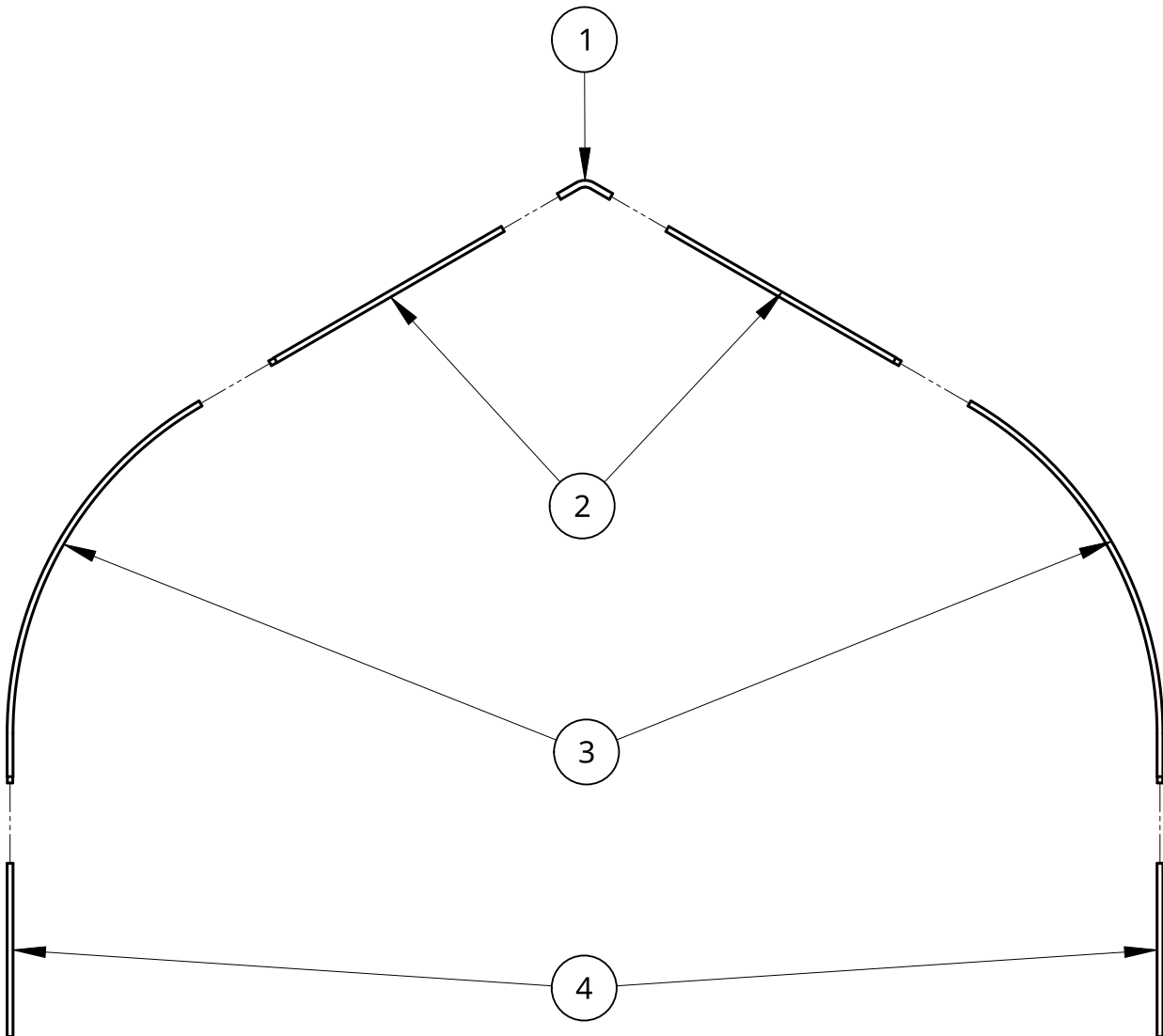
2

1

Item	Quantity	Description
1	1	1.875" OD Peak
2	2	1.625" OD Truss
3	2	1.625" OD Arc
4	2	1.625" OD Post

B

B



A

A

Wind Load - 65 MPH  
 Snow Load - 30 PSF

UNLESS OTHERWISE SPECIFIED,  
 DIMENSIONS ARE IN INCHES  
 .XX = ±.0-  
 .XXX = ±.00-  
 .XXXX = ±.000-  
 SURFACE FINISH

DO NOT SCALE DRAWING  
 BREAK ALL SHARP EDGES AND  
 REMOVE BURRS

THIRD ANGLE PROJECTION

	NAME	DATE
DRAWN	KEVIN ROBERTS	03/08/2024
CHECKED		
APPROVED	E. Roberts	3/8/2024
MATERIAL	Galvanized Steel	
FINISH		

Roberts Ranch Hoophouses		
TITLE		
20' Wide Gothic Hightunnel Arch Exploded View		
SIZE	DWG NO.	REV.
A	G20-7	C
SCALE	WEIGHT	SHEET
1:50		7 of 7

2

1