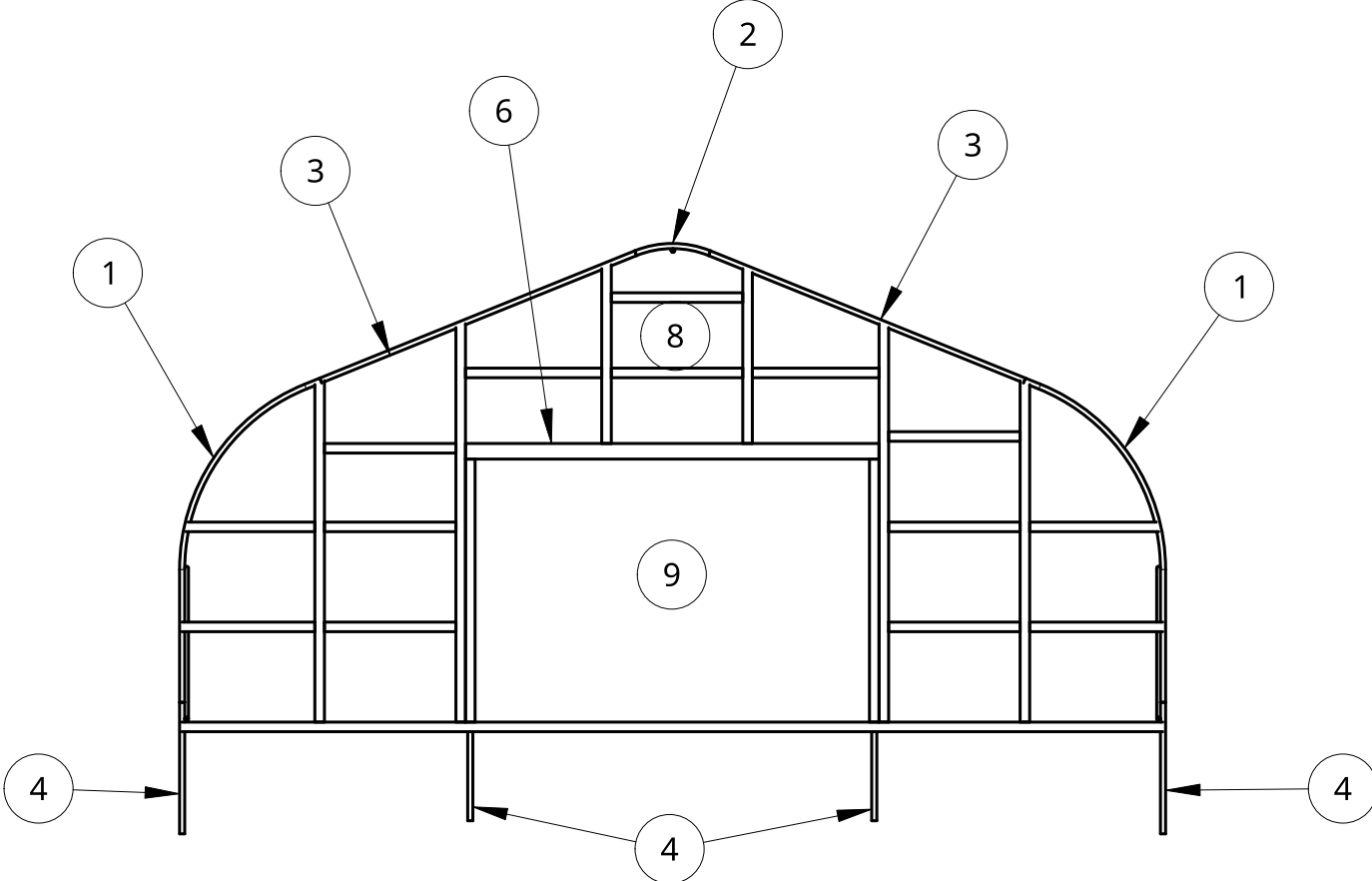


Item	Quantity	Description
1	32	1.875" OD Arc
2	16	1.875" OD Peak
3	32	1.875" OD Truss
4	36	1.875" OD Post
5	25	1.375" OD Purlin
6	2	Wood Framing
7	4	1.375" OD Brace
8	2	Hot Air Vent
9	2	Bay Door



Wind Load - 65 MPH
 Snow Load - 30 PSF

UNLESS OTHERWISE SPECIFIED,
 DIMENSIONS ARE IN INCHES

.XX = ±.0-
 .XXX = ±.00-
 .XXXX = ±.000-

ANGULAR = ± °
 FRACTIONAL = ±

SURFACE FINISH ✓

DO NOT SCALE DRAWING

BREAK ALL SHARP EDGES AND
 REMOVE BURRS

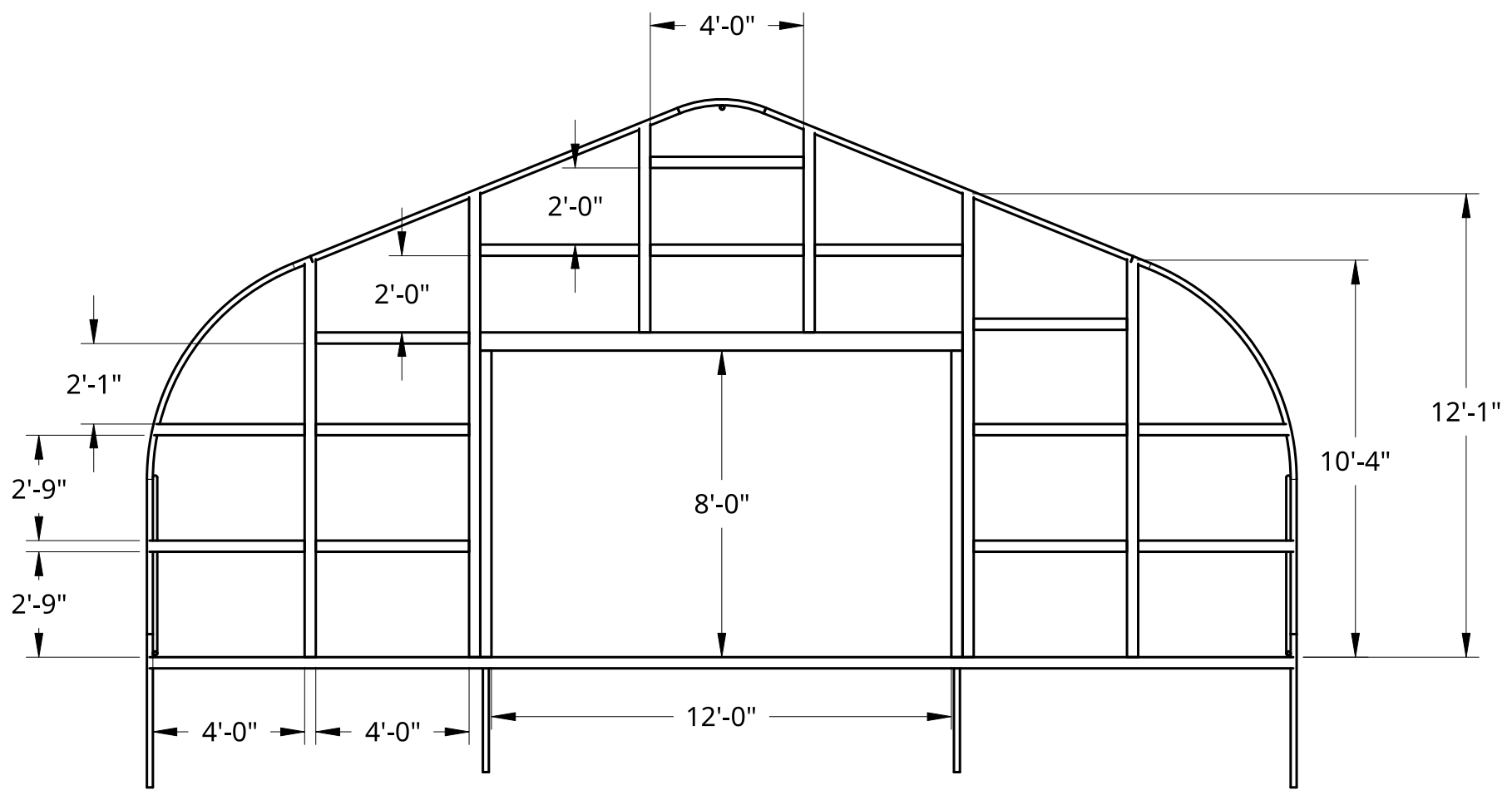
THIRD ANGLE PROJECTION

	NAME	DATE
DRAWN	KEVIN ROBERTS	06/30/2021
CHECKED		
APPROVED	E. Roberts	7/8/2021
MATERIAL	Galvanized Steel	
FINISH		

Roberts Ranch Hoophouses			
TITLE			
30' Wide Gothic Hightunnel End View & BOM			
SIZE	DWG NO.	REV.	
A	G30-1	A	
SCALE	WEIGHT	SHEET	
1:70		1 of 5	

B

B



A

A

Wind Load - 65 MPH
 Snow Load - 30 PSF

UNLESS OTHERWISE SPECIFIED, DIMENSIONS ARE IN INCHES .XX = ±.0- .XXX = ±.00- .XXXX = ±.000-		NAME	DATE	Roberts Ranch Hoophouses	
DO NOT SCALE DRAWING	DRAWN	KEVIN ROBERTS	06/30/2021	TITLE	
BREAK ALL SHARP EDGES AND REMOVE BURRS	CHECKED			30' Wide Gothic Hightunnel Dimensioned End View	
THIRD ANGLE PROJECTION	APPROVED	E. Roberts	7/8/2021	SIZE	REV. A
	MATERIAL	FINISH		DWG. NO.	G30-2
	Galvanized Steel			SCALE	1:70
				WEIGHT	
				SHEET	2 of 5

2

1

2

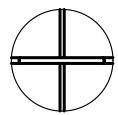
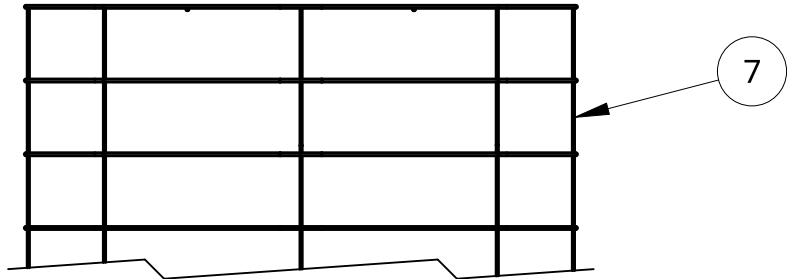
1

B

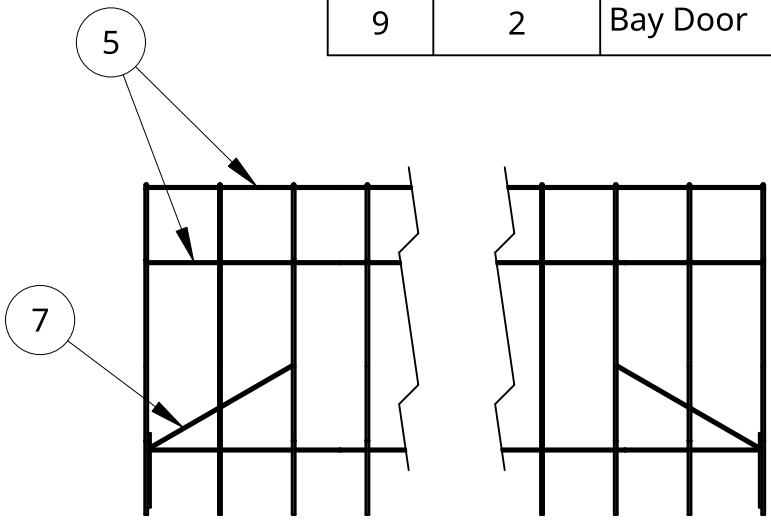
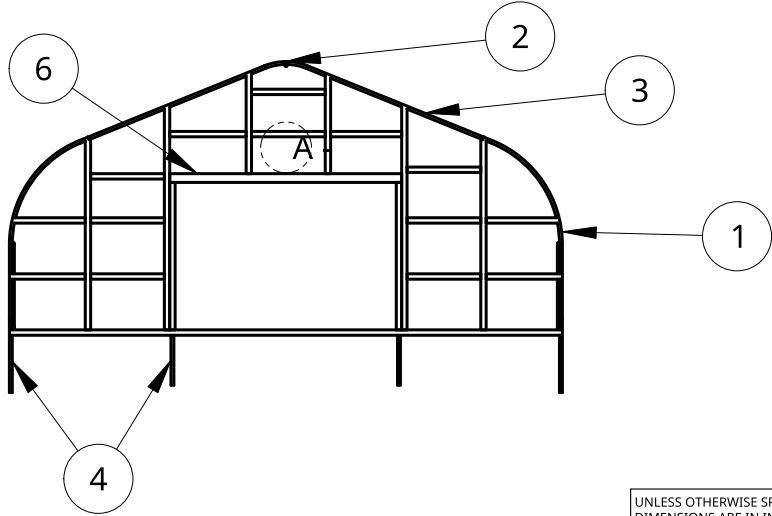
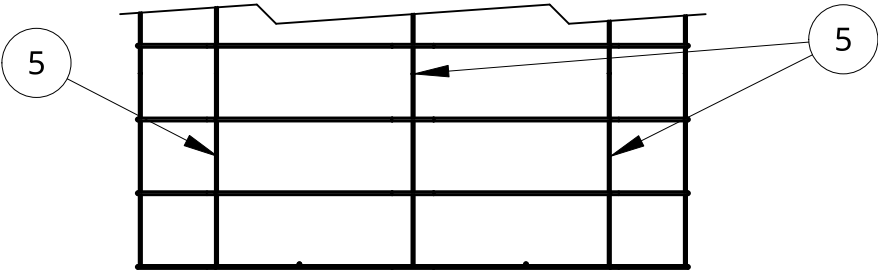
B

A

A



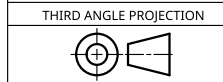
DETAIL A - PEAK PIECE
SEE PAGE 5
SCALE 2:125



Item	Quantity	Description
1	32	1.875" OD Arc
2	16	1.875" OD Peak
3	32	1.875" OD Truss
4	36	1.875" OD Post
5	25	1.375" OD Purlin
6	2	Wood Framing
7	4	1.375" OD Brace
8	2	Hot Air Vent
9	2	Bay Door

UNLESS OTHERWISE SPECIFIED,
DIMENSIONS ARE IN INCHES
.XX = ±.0-
.XXX = ±.00-
.XXXX = ±.000-
SURFACE FINISH

DO NOT SCALE DRAWING
BREAK ALL SHARP EDGES AND
REMOVE BURRS



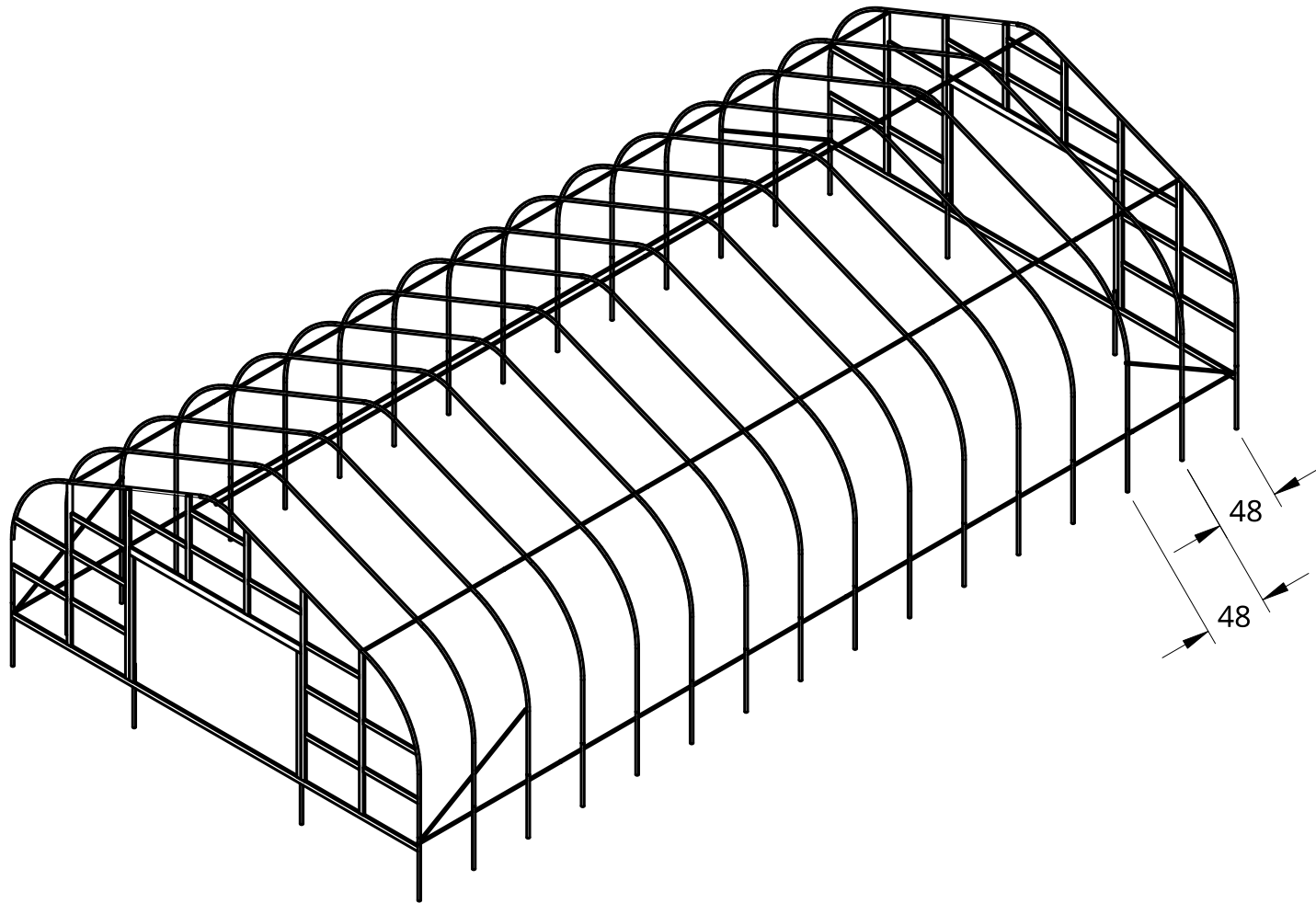
	NAME	DATE
DRAWN	KEVIN ROBERTS	06/30/2021
CHECKED		
APPROVED	E. Roberts	7/8/2021
MATERIAL		FINISH
Galvanized Steel		

Roberts Ranch Hoophouses			
TITLE			
30' Wide Gothic Hightunnel Projected Views & BOM			
SIZE	DWG NO.	REV.	
A	G30-3	A	
SCALE	WEIGHT	SHEET	
1:125		3 of 5	

Wind Load - 65 MPH
Snow Load - 30 PSF

2

1



Wind Load - 65 MPH
 Snow Load - 30 PSF

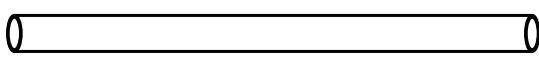
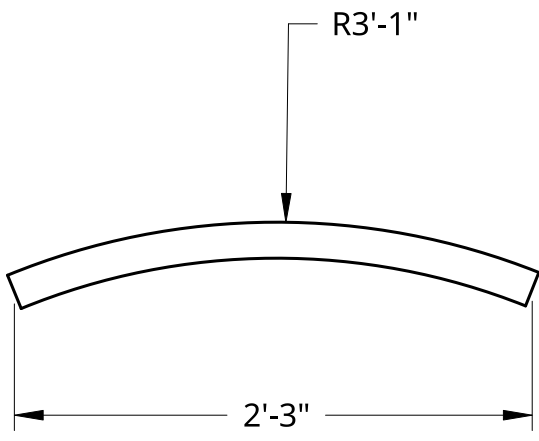
UNLESS OTHERWISE SPECIFIED, DIMENSIONS ARE IN INCHES .XX = ±.0- .XXX = ±.00- .XXXX = ±.000- SURFACE FINISH		NAME	DATE	Roberts Ranch Hoophouses	
DO NOT SCALE DRAWING	DRAWN	KEVIN ROBERTS	06/30/2021	TITLE	
BREAK ALL SHARP EDGES AND REMOVE BURRS	CHECKED			30' Wide Gothic Hightunnel Isometric View	
THIRD ANGLE PROJECTION	APPROVED	E. Roberts	7/8/2021	SIZE	REV. A
	MATERIAL	FINISH		DWG NO.	
	Galvanized Steel			G30-4	
		SCALE	WEIGHT	SHEET	
		1:125		4 of 5	

2

1

B

B



A

A

REFERENCE DRAWING G30-3
 DETAIL A - PEAK

UNLESS OTHERWISE SPECIFIED, DIMENSIONS ARE IN INCHES .XX = ±.0- .XXX = ±.00- .XXXX = ±.000- SURFACE FINISH		NAME	DATE	Roberts Ranch Hoophouses	
DO NOT SCALE DRAWING	DRAWN	KEVIN ROBERTS	06/30/2021	TITLE 30' Wide Gothic Peak Piece	
BREAK ALL SHARP EDGES AND REMOVE BURRS	CHECKED				
THIRD ANGLE PROJECTION 	APPROVED	E. Roberts	7/8/2021		
	MATERIAL	FINISH		SIZE	DWG NO.
	Galvanized Steel			A	G30-5
				SCALE	WEIGHT
				1:125	
				SHEET	REV.
				5 of 5	A

2

1