

1	1.875" OD Peak
2	1.625" OD Truss
3	1.625" OD Arc
4	1.625" OD Post
5	2"x4" Wood Framing
6	2"x12" Dual Sliding Door Header
7	6'x6' 8" Bay Door
8	1"x4" Roll-Up Board
9	1.375" OD Purlin
10	2' x 2' Air Vent

WIND LOAD - 65 MPH
SNOW LOAD - 30 PSF

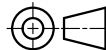
UNLESS OTHERWISE SPECIFIED,
DIMENSIONS ARE IN INCHES
.XX = ±.0-
.XXX = ±.00-
.XXXX = ±.000-
ANGULAR = ± °
FRACTIONAL = ±

SURFACE FINISH

DO NOT SCALE DRAWING

BREAK ALL SHARP EDGES AND
REMOVE BURRS

THIRD ANGLE PROJECTION



	NAME	DATE
DRAWN	Rica Abing	10/10/2024
CHECKED	Kevin Roberts	
APPROVED		

MATERIAL	FINISH
Galvanized Steel	

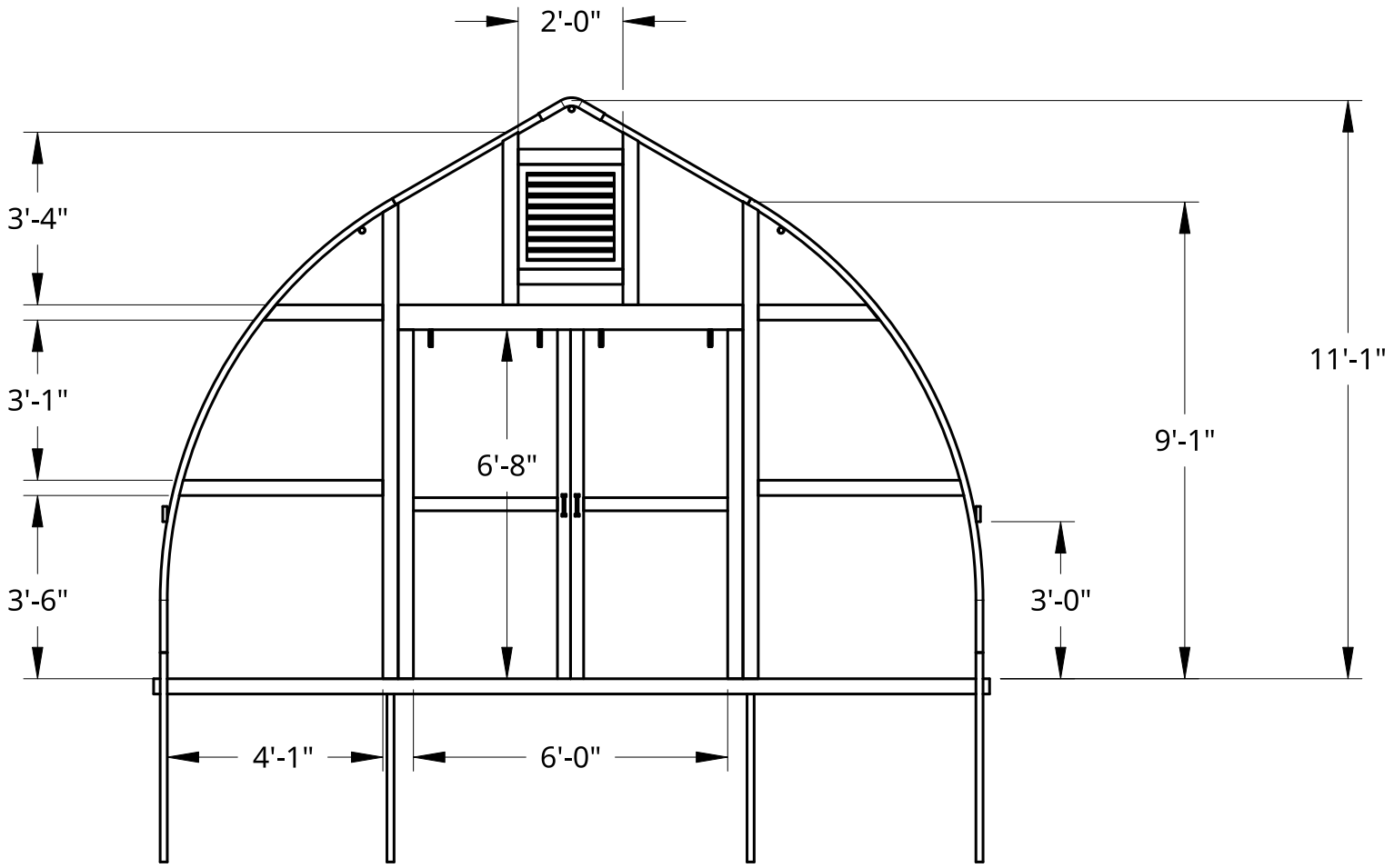
Roberts Ranch Hoophouses

TITLE
16' Wide Gothic Hightunnel Front
View (New Design)

SIZE	DWG NO.	REV.
A	G16-1	C
SCALE	WEIGHT	SHEET
1:40		1 of 7

B

B



A

A

WIND LOAD - 65 MPH
 SNOW LOAD - 30 PSF

UNLESS OTHERWISE SPECIFIED,
 DIMENSIONS ARE IN INCHES
 .XX = ±.0-
 .XXX = ±.00-
 .XXXX = ±.000-
 SURFACE FINISH ✓
 ANGULAR = ± °
 FRACTIONAL = ±

DO NOT SCALE DRAWING
 BREAK ALL SHARP EDGES AND
 REMOVE BURRS
 THIRD ANGLE PROJECTION

	NAME	DATE
DRAWN	Rica Abing	10/10/2024
CHECKED	Kevin Roberts	
APPROVED		
MATERIAL	FINISH	
Galvanized Steel		

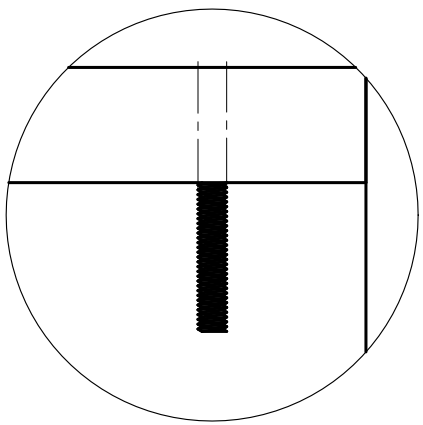
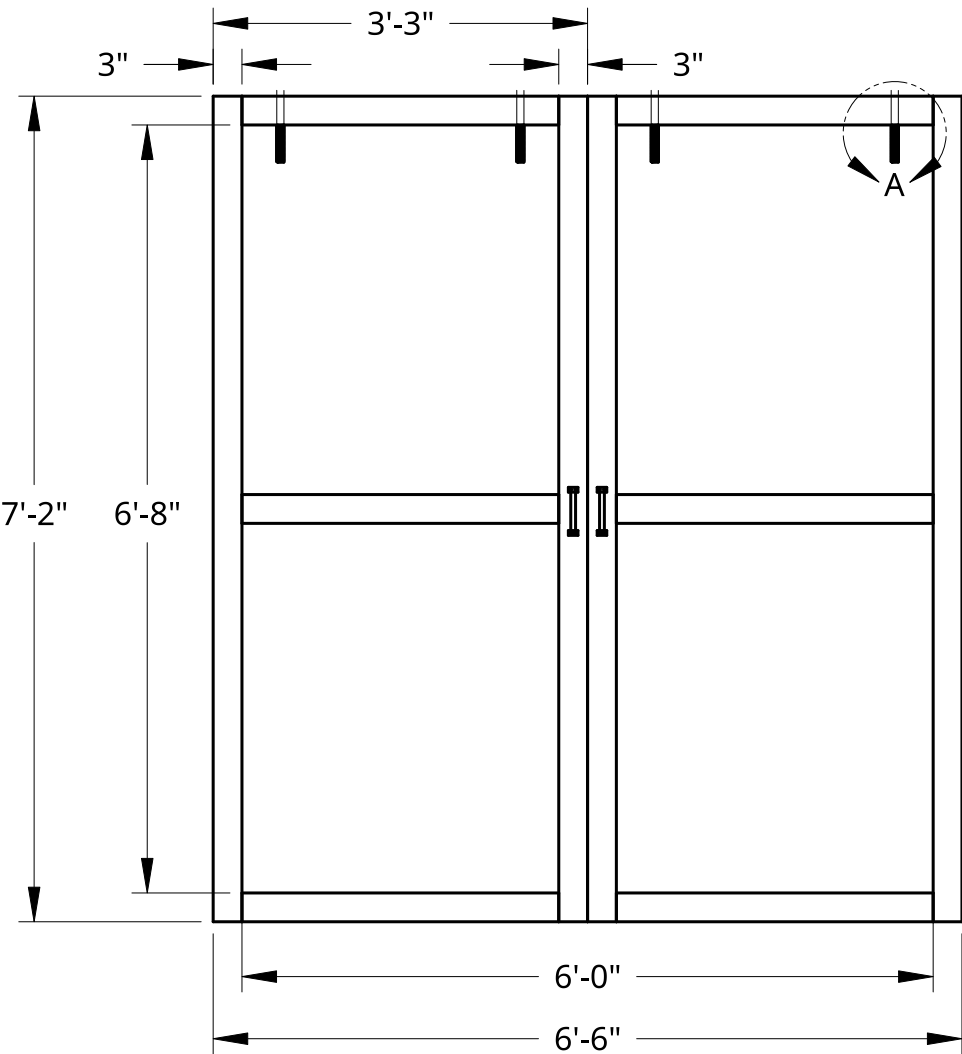
Roberts Ranch Hoophouses		
TITLE 16' Wide Gothic Hightunnel Dimensional Front View (New Design)		
SIZE A	DWG NO. G16-2	REV. C
SCALE 1:40	WEIGHT	SHEET 2 of 7

2

1

2

1



DETAIL A
1/2" Hole
SCALE 1:5

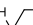

B

B

A

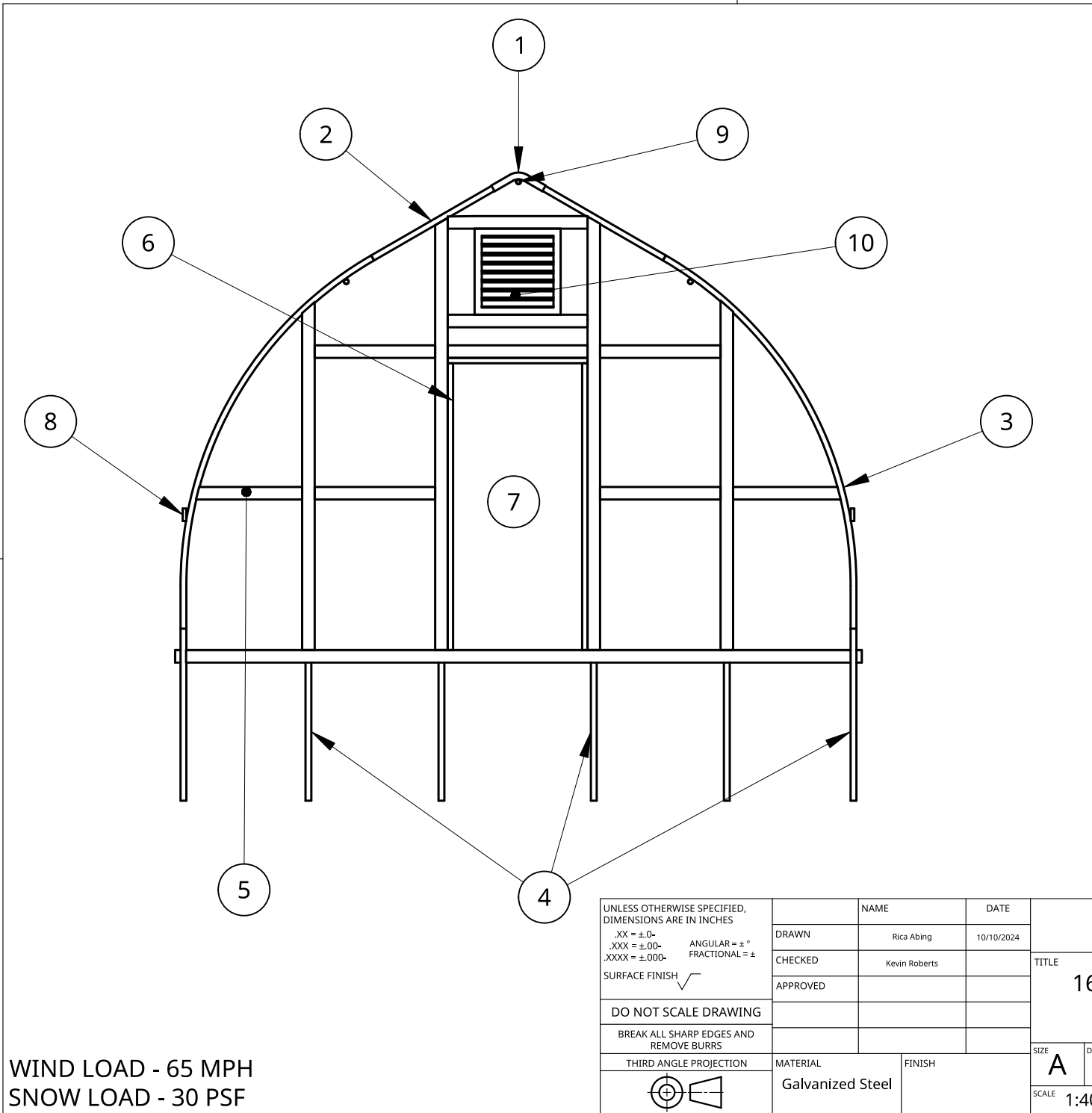
A

WIND LOAD - 65 MPH
SNOW LOAD - 30 PSF

UNLESS OTHERWISE SPECIFIED, DIMENSIONS ARE IN INCHES .XX = ±.0- .XXX = ±.00- .XXXX = ±.000- SURFACE FINISH 		NAME	DATE	Roberts Ranch Hoophouses	
DO NOT SCALE DRAWING	DRAWN	Rica Abing	10/10/2024	TITLE 6' x 6' 8" Dual Bay Door Blow-Up Plan & Details	
BREAK ALL SHARP EDGES AND REMOVE BURRS	CHECKED	Kevin Roberts			
THIRD ANGLE PROJECTION 	APPROVED				
	MATERIAL	FINISH		SIZE	DWG NO.
	Galvanized Steel			A	G16-3
				SCALE	1:40
				WEIGHT	
				SHEET	3 of 7
				REV.	C

2

1

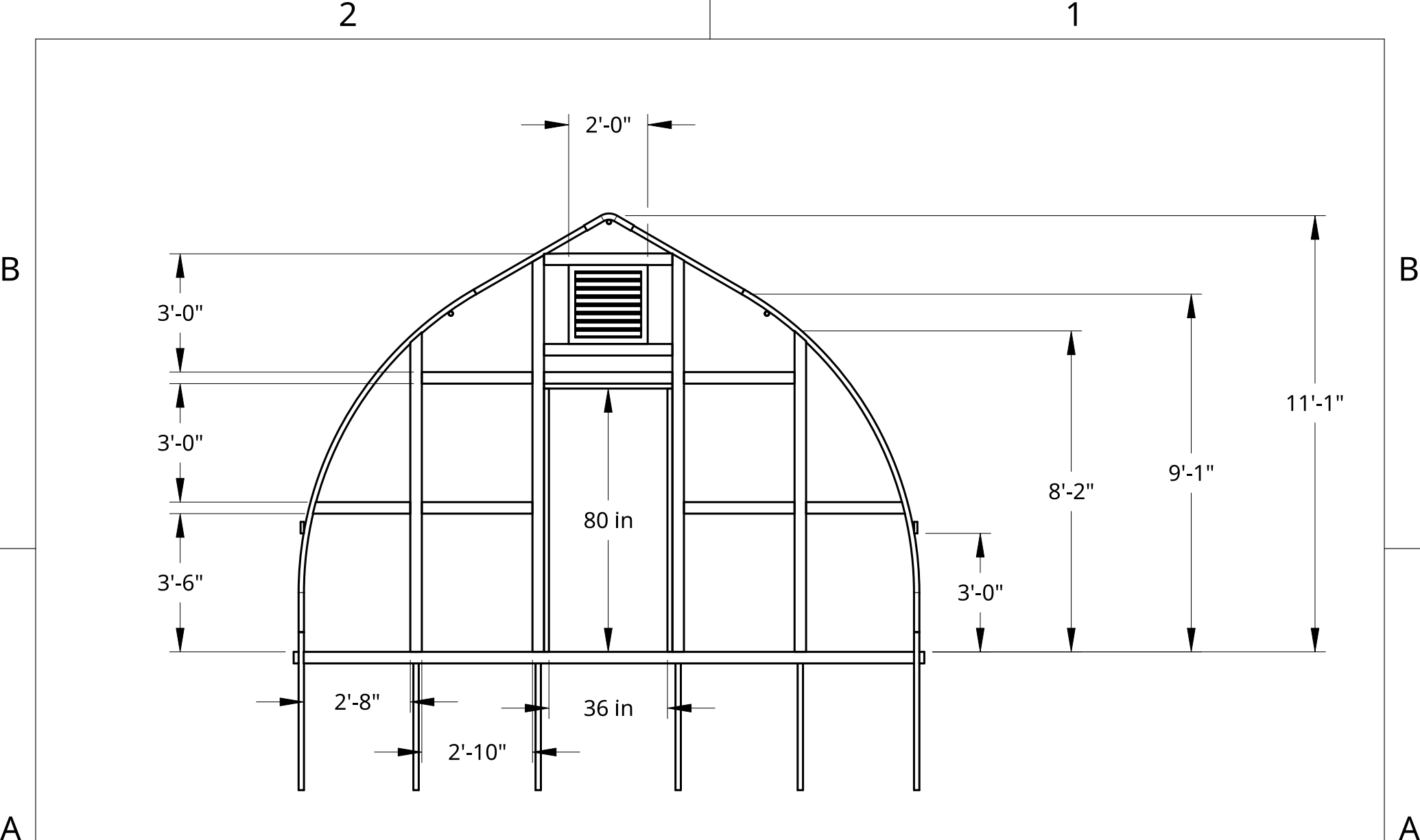


1	1.875" OD Peak
2	1.625" OD Truss
3	1.625" OD Arc
4	1.625" OD Post
5	2"x4" Wood Framing
6	2"x4" Door Framing
7	36"x80" Man Door
8	1"x4" Roll-Up Board
9	1.375" OD Purlin
10	2' x 2' Air Vent

WIND LOAD - 65 MPH
 SNOW LOAD - 30 PSF

UNLESS OTHERWISE SPECIFIED, DIMENSIONS ARE IN INCHES		NAME	DATE
.XX = ±.0-	ANGULAR = ± °	DRAWN	Rica Abing
.XXX = ±.00-	FRACTIONAL = ±	CHECKED	Kevin Roberts
.XXXX = ±.000-		APPROVED	
SURFACE FINISH <input checked="" type="checkbox"/>			
DO NOT SCALE DRAWING			
BREAK ALL SHARP EDGES AND REMOVE BURRS			
THIRD ANGLE PROJECTION		MATERIAL	FINISH
		Galvanized Steel	

Roberts Ranch Hoophouses			
TITLE			
16' Wide Gothic Hightunnel Back View (New Design)			
SIZE	DWG NO.	REV.	
A	G16-4	C	
SCALE	WEIGHT	SHEET	
1:40		4 of 7	



WIND LOAD - 65 MPH
 SNOW LOAD - 30 PSF

UNLESS OTHERWISE SPECIFIED,
 DIMENSIONS ARE IN INCHES

.XX = ±.0-
 .XXX = ±.00-
 .XXXX = ±.000-

ANGULAR = ± °
 FRACTIONAL = ±

SURFACE FINISH

DO NOT SCALE DRAWING

BREAK ALL SHARP EDGES AND
 REMOVE BURRS

THIRD ANGLE PROJECTION

	NAME	DATE
DRAWN	Rica Abing	10/10/2024
CHECKED	Kevin Roberts	
APPROVED		
MATERIAL	FINISH	
Galvanized Steel		

Roberts Ranch Hoophouses		
TITLE 16' Wide Gothic Hightunnel Dimensional Back View (New Design)		
SIZE A	DWG NO. G16-5	REV. C
SCALE 1:40	WEIGHT	SHEET 5 of 7

2

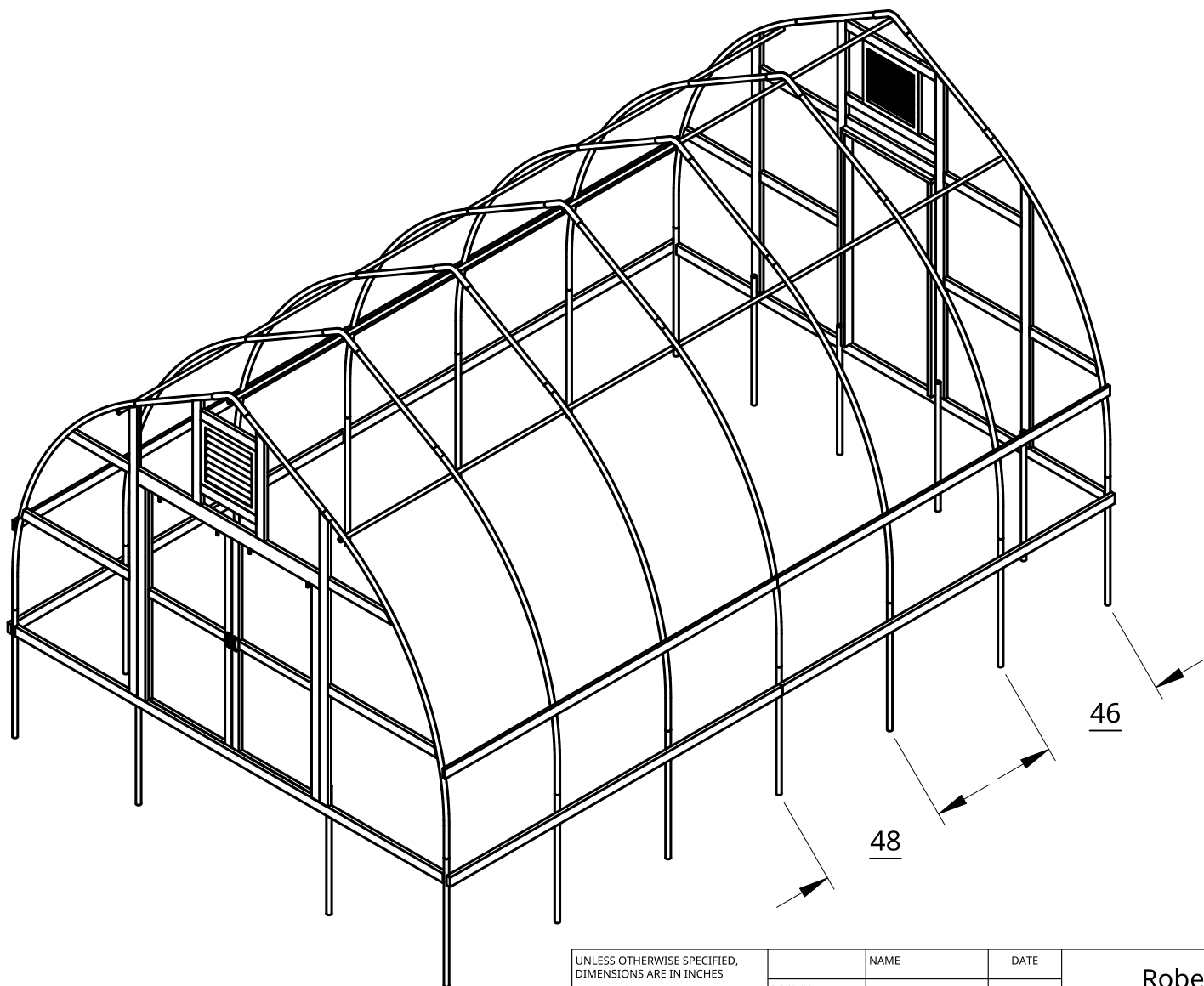
1

B

B

A

A



WIND LOAD - 65 MPH
 SNOW LOAD - 30 PSF

UNLESS OTHERWISE SPECIFIED,
 DIMENSIONS ARE IN INCHES
 .XX = ±.0-
 .XXX = ±.00-
 .XXXX = ±.000-
 SURFACE FINISH

DO NOT SCALE DRAWING
 BREAK ALL SHARP EDGES AND
 REMOVE BURRS

THIRD ANGLE PROJECTION

	NAME	DATE
DRAWN	Rica Abing	10/10/2024
CHECKED	Kevin Roberts	
APPROVED		

MATERIAL	FINISH
Galvanized Steel	

Roberts Ranch Hoophouses			
TITLE 16' Wide Gothic Hightunnel Isometric View (New Design)			
SIZE A	DWG NO. G16-6	REV. C	
SCALE 1:50	WEIGHT	SHEET 6 of 7	

2

1

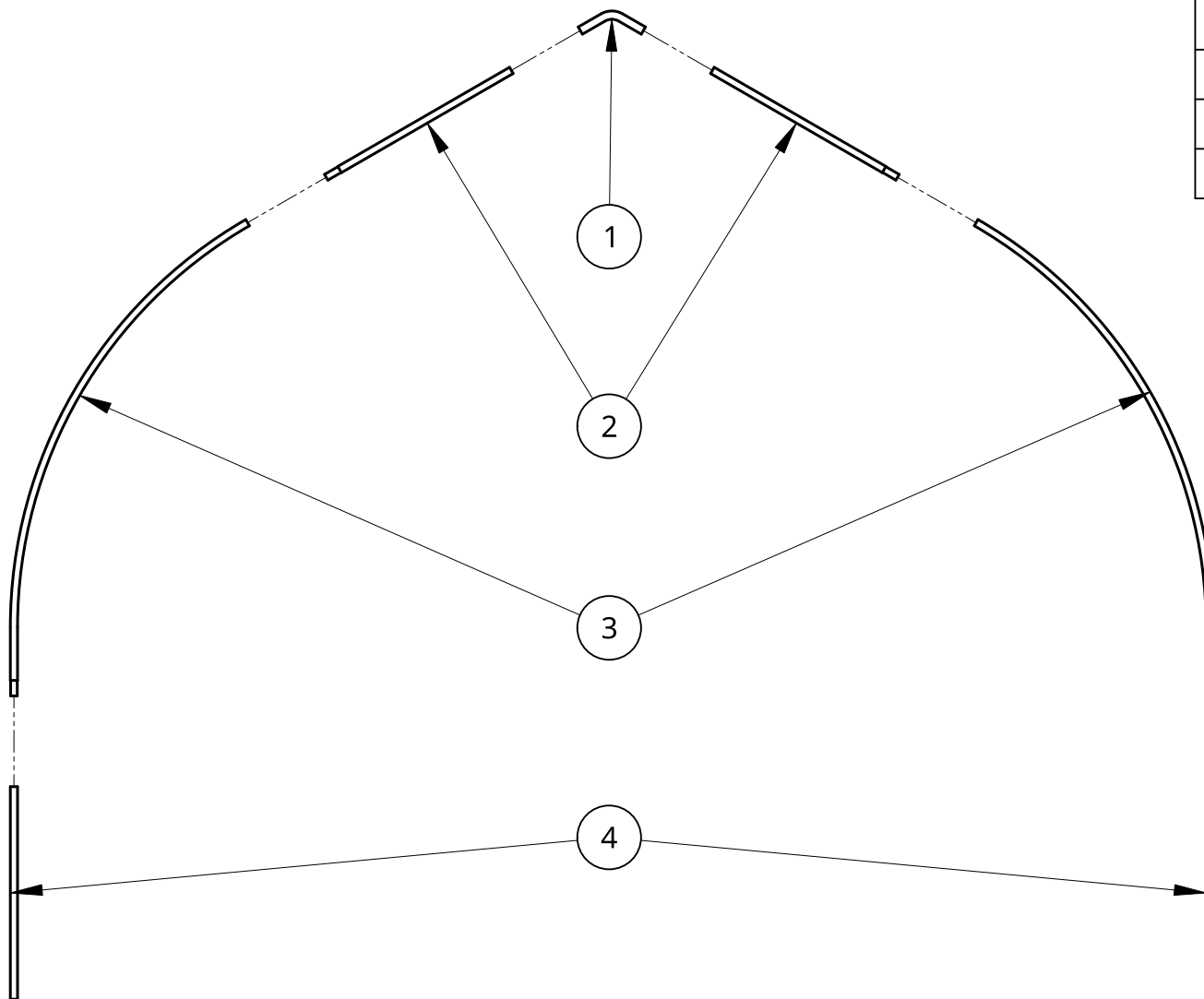
2

1

Item	Quantity	Description
1	1	1.875" OD Peak
2	2	1.625" OD Truss
3	2	1.625" OD Arc
4	2	1.625" OD Post

B

B



A

A

UNLESS OTHERWISE SPECIFIED,
DIMENSIONS ARE IN INCHES

.XX = ±.0- ANGULAR = ± °
.XXX = ±.00- FRACTIONAL = ±
.XXXX = ±.000-

SURFACE FINISH

DO NOT SCALE DRAWING

BREAK ALL SHARP EDGES AND REMOVE BURRS

THIRD ANGLE PROJECTION

	NAME	DATE
DRAWN	Rica Abing	10/08/2024
CHECKED	Kevin Roberts	
APPROVED		
MATERIAL	Galvanized Steel	FINISH

Roberts Ranch Hoophouses		
TITLE 16' Wide Gothic Hightunnel Arch Exploded View (New Design)		
SIZE A	DWG NO. G16-7	REV. C
SCALE 1:50	WEIGHT	SHEET 7 of 7

2

1