

1	1.375" OD Arc
2	1.625" OD Post
3	Wood Framing
4	2"x12" Dual Sliding Door Header
5	2'x2' Hot Air Vent
6	8' x 8' Bay Door
7	1"x4" Roll-Up Board

Wind Load - 65 MPH
 Snow Load - 30 PSF

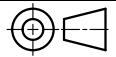
UNLESS OTHERWISE SPECIFIED,
 DIMENSIONS ARE IN INCHES
 .XX = ±.0-
 .XXX = ±.00-
 .XXXX = ±.000-
 ANGULAR = ± °
 FRACTIONAL = ±

SURFACE FINISH ✓

DO NOT SCALE DRAWING

BREAK ALL SHARP EDGES AND REMOVE BURRS

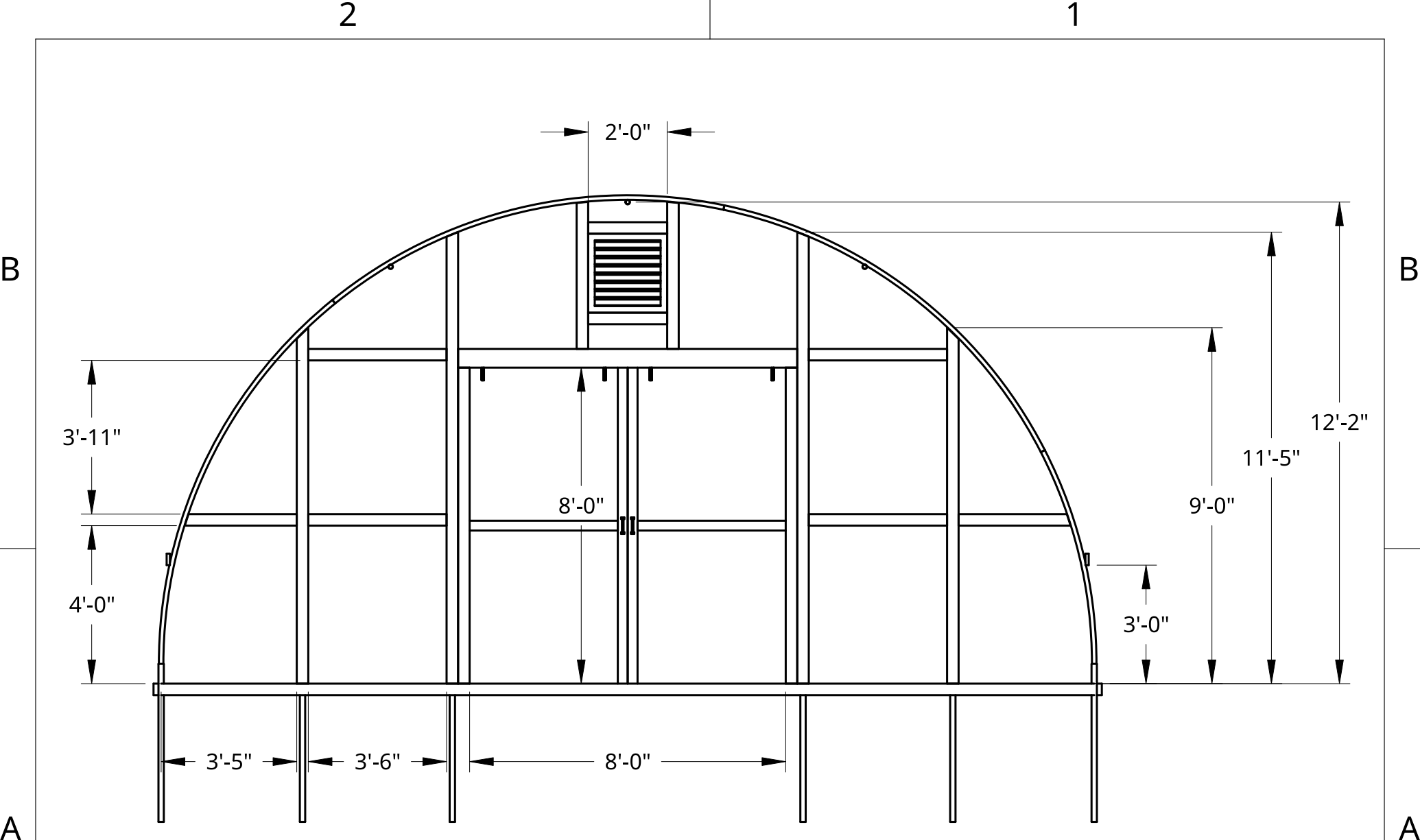
THIRD ANGLE PROJECTION



	NAME	DATE
DRAWN	RICA JANE ABING	08/08/2024
CHECKED	Kevin Roberts	
APPROVED		

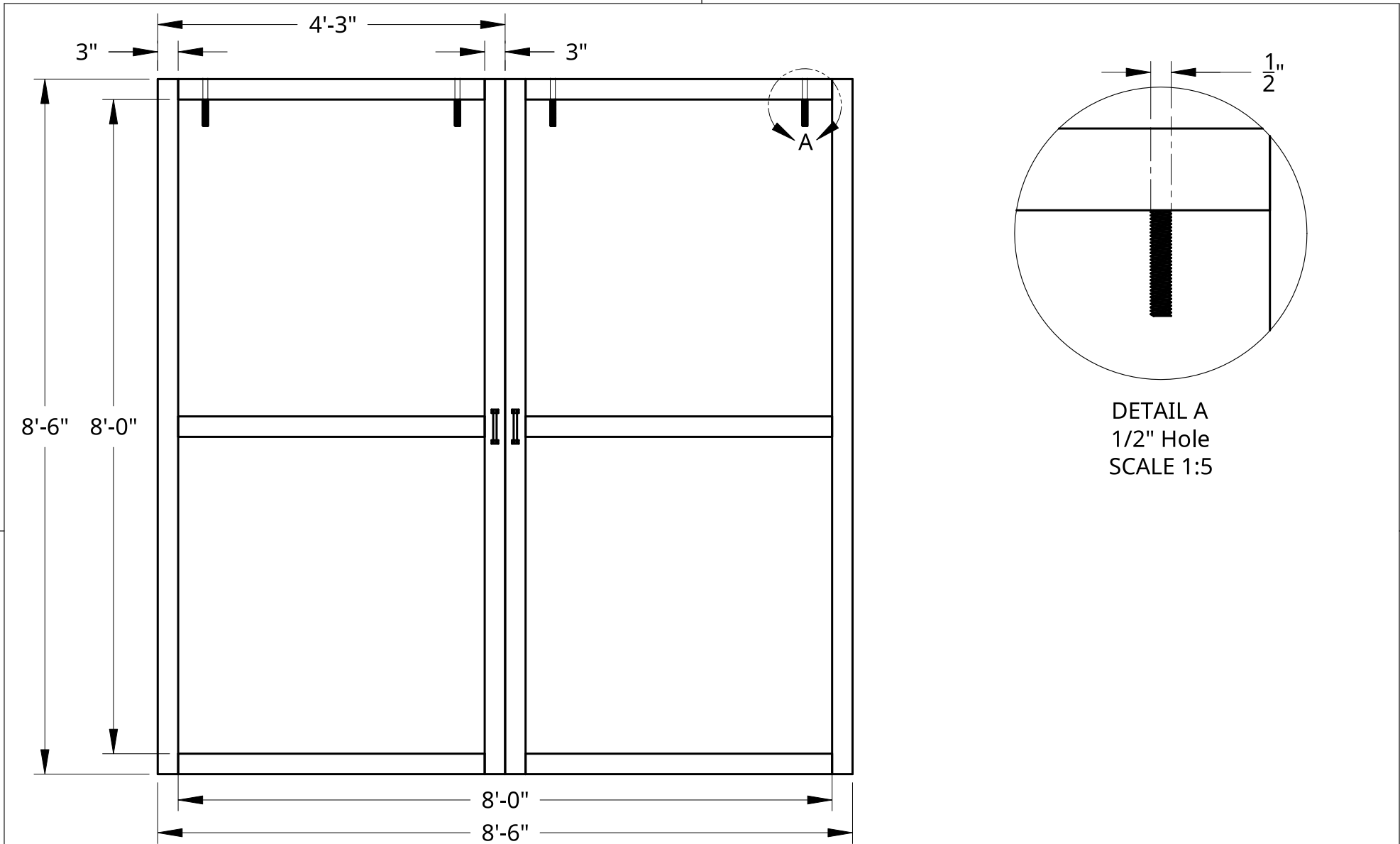
MATERIAL	FINISH
Galvanized Steel	

Roberts Ranch Hoopouses			
TITLE 24' Wide Hoopouse Front View & BOM			
SIZE A	DWG NO. H24-1	REV. C	
SCALE 1:40	WEIGHT	SHEET 1 of 7	



Wind Load - 65 MPH
 Snow Load - 30 PSF

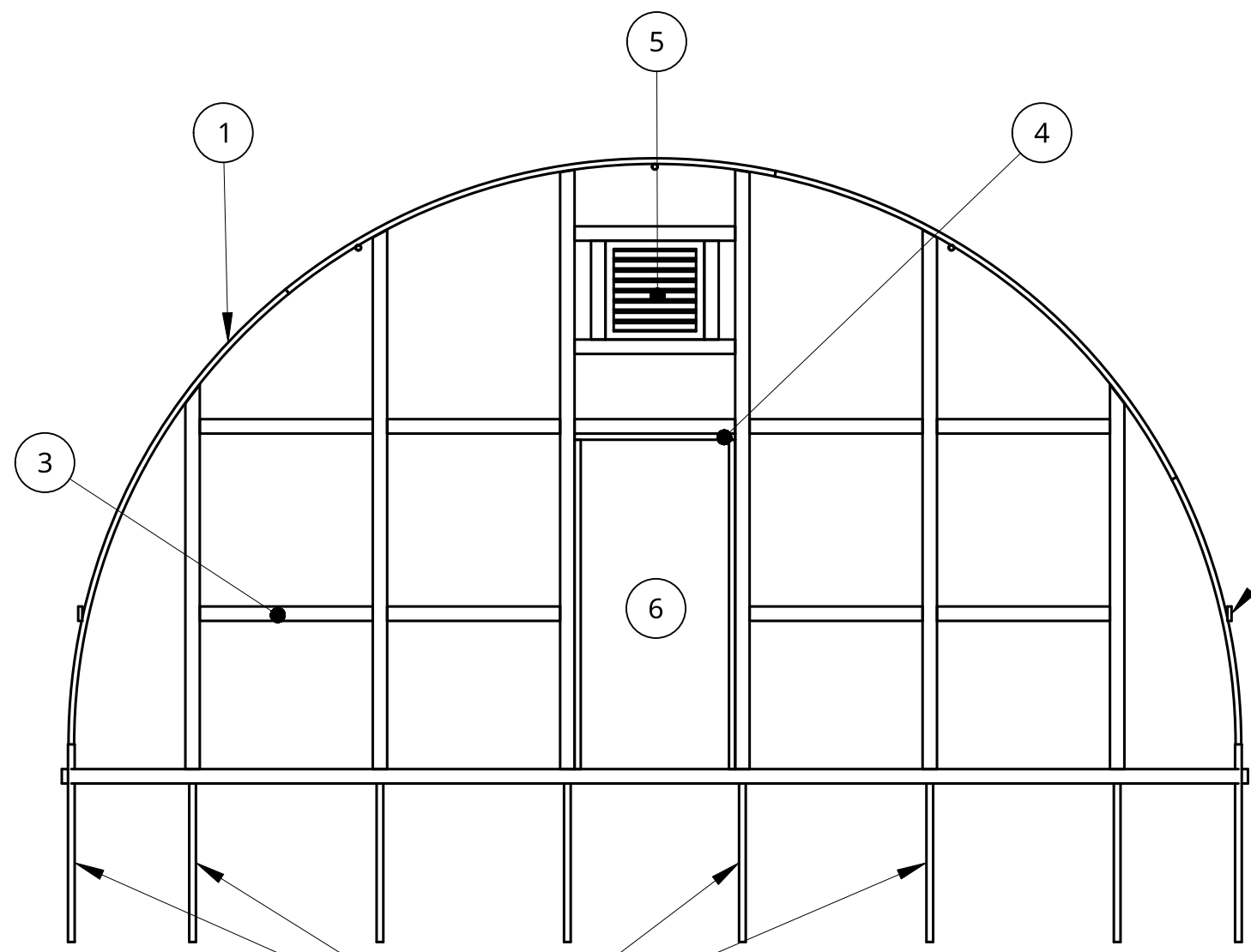
UNLESS OTHERWISE SPECIFIED, DIMENSIONS ARE IN INCHES .XX = ±.0- .XXX = ±.00- .XXXX = ±.000- SURFACE FINISH <input checked="" type="checkbox"/>		NAME	DATE	Roberts Ranch Hoopouses	
DO NOT SCALE DRAWING	DRAWN	RICA JANE ABING	08/08/2024	TITLE 24' Wide Hoopouse Dimensioned Front View	
BREAK ALL SHARP EDGES AND REMOVE BURRS	CHECKED	Kevin Roberts			
THIRD ANGLE PROJECTION	APPROVED				
	MATERIAL	FINISH		SIZE	DWG NO.
	Galvanized Steel			A	H24-2
				SCALE	WEIGHT
				1:40	
				SHEET	REV.
				2 of 7	C



Wind Load - 65 MPH
 Snow Load - 30 PSF

UNLESS OTHERWISE SPECIFIED, DIMENSIONS ARE IN INCHES .XX = ±.0- .XXX = ±.00- .XXXX = ±.000- SURFACE FINISH		NAME	DATE	Roberts Ranch Hoophouses	
DO NOT SCALE DRAWING	DRAWN	RICA JANE ABING	08/08/2024	TITLE 8' x 8' Dual Bay Door Blow-Up Plan & Details	
BREAK ALL SHARP EDGES AND REMOVE BURRS	CHECKED	Kevin Roberts			
THIRD ANGLE PROJECTION	APPROVED				
	MATERIAL	Galvanized Steel	FINISH	SIZE A	DWG NO. H24-3
				SCALE 1:20	WEIGHT
				SHEET 3 of 7	REV. A

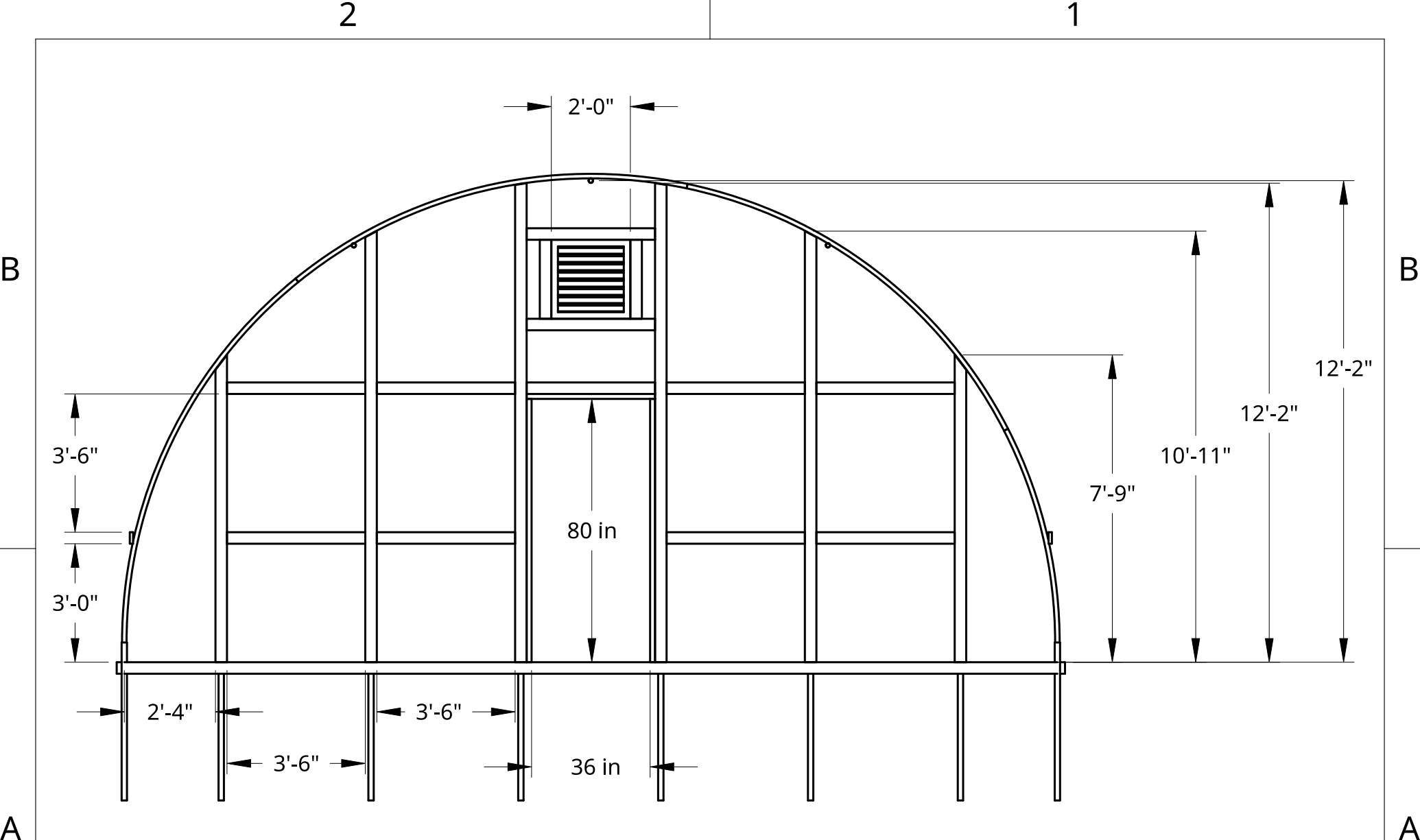
1	1.375" OD Arc
2	1.625" OD Post
3	Wood Framing
4	2"x4" Door Framing
5	2'x2' Hot Air Vent
6	36"x80" Man Door
7	1"x4" Roll-Up Board



Wind Load - 65 MPH
Snow Load - 30 PSF

UNLESS OTHERWISE SPECIFIED, DIMENSIONS ARE IN INCHES .XX = ±.0- .XXX = ±.00- .XXXX = ±.000-		NAME	DATE
ANGULAR = ± ° FRACTIONAL = ±	DRAWN	RICA JANE ABING	07/11/2024
SURFACE FINISH ✓	CHECKED	Kevin Roberts	
DO NOT SCALE DRAWING	APPROVED		
BREAK ALL SHARP EDGES AND REMOVE BURRS			
THIRD ANGLE PROJECTION	MATERIAL	FINISH	
	Galvanized Steel		

Roberts Ranch Hoophouses			
TITLE 24' Wide Hoophouse Back View & BOM			
SIZE A	DWG NO. H24-4	REV. C	
SCALE 1:40	WEIGHT	SHEET 4 of 7	

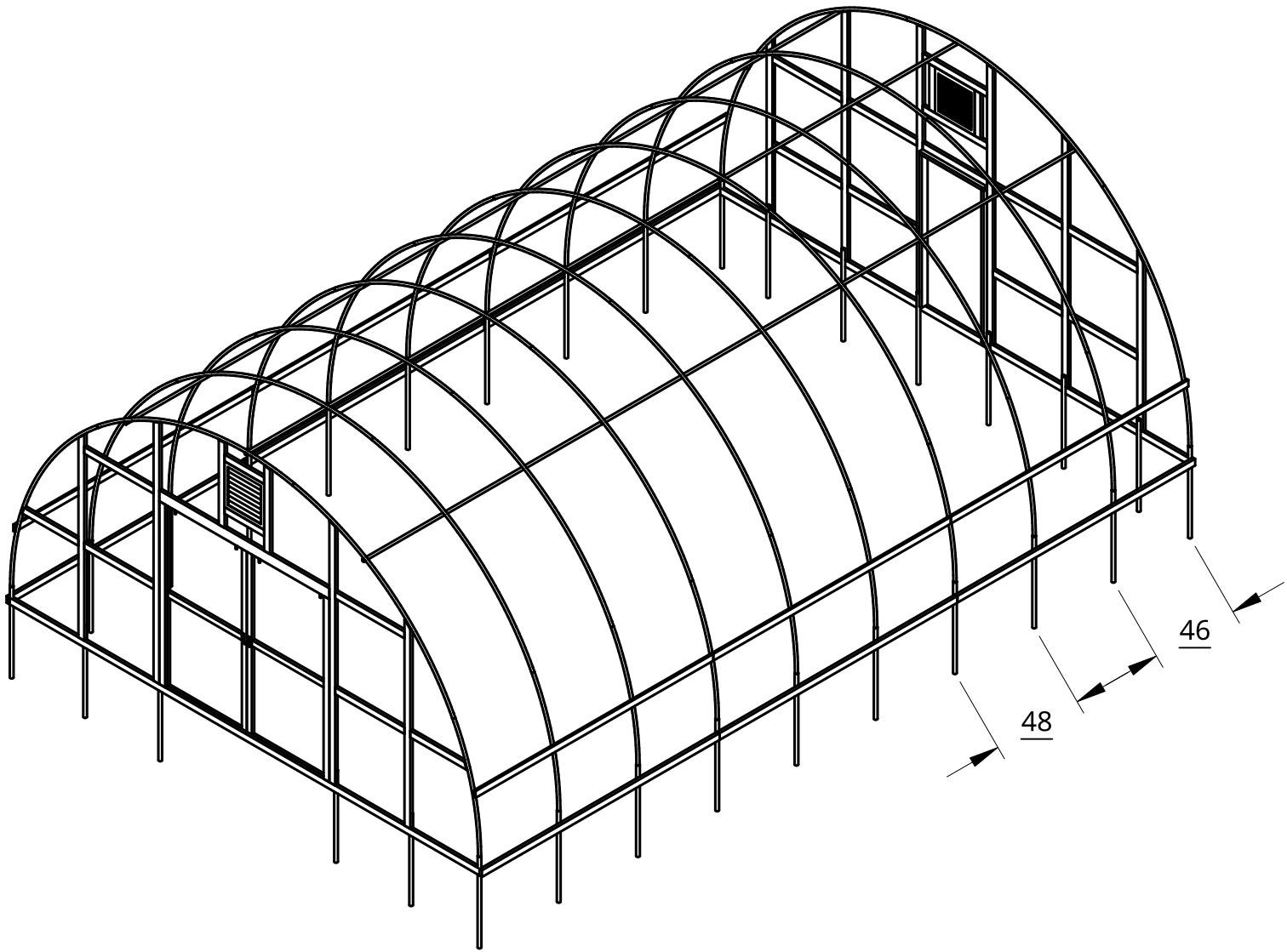


Wind Load - 65 MPH
 Snow Load - 30 PSF

UNLESS OTHERWISE SPECIFIED, DIMENSIONS ARE IN INCHES .XX = ±.0- .XXX = ±.00- .XXXX = ±.000- SURFACE FINISH ✓ DO NOT SCALE DRAWING BREAK ALL SHARP EDGES AND REMOVE BURRS THIRD ANGLE PROJECTION		NAME DRAWN CHECKED APPROVED	DATE 07/11/2024	Roberts Ranch Hoopouses	
		MATERIAL Galvanized Steel	FINISH	TITLE 24' Wide Hoopouse Dimensioned Back View	
		SIZE A		DWG. NO. H24-5	REV. C
		SCALE 1:40		WEIGHT	SHEET 5 of 7

2

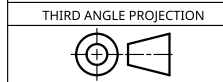
1



Wind Load - 65 MPH
 Snow Load - 30 PSF

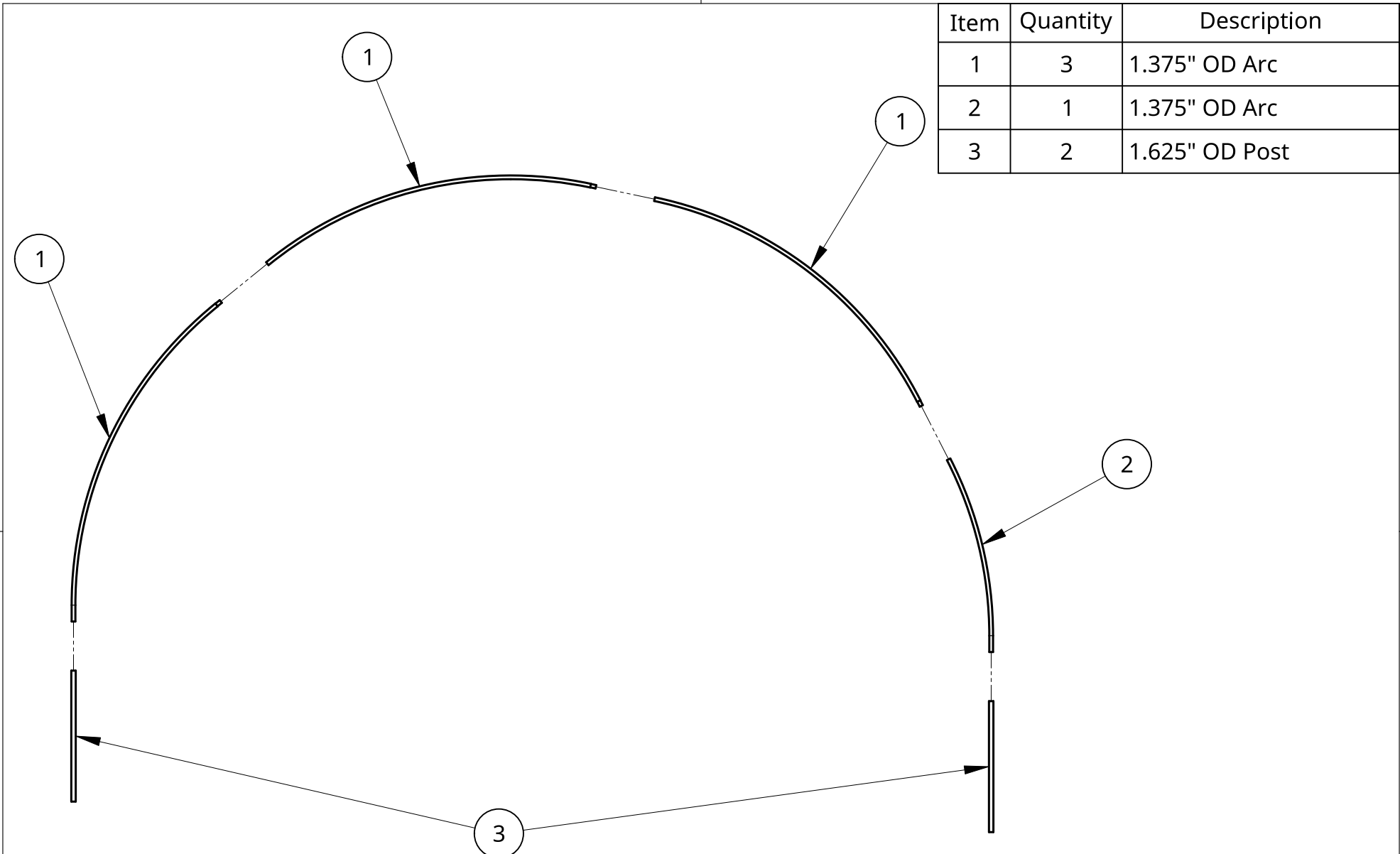
UNLESS OTHERWISE SPECIFIED,
 DIMENSIONS ARE IN INCHES
 .XX = ±.0-
 .XXX = ±.00-
 .XXXX = ±.000-
 SURFACE FINISH

DO NOT SCALE DRAWING
 BREAK ALL SHARP EDGES AND
 REMOVE BURRS



	NAME	DATE
DRAWN	RICA JANE ABING	08/08/2024
CHECKED	Kevin Roberts	
APPROVED		
MATERIAL	FINISH	
Galvanized Steel		

Roberts Ranch Hoopouses		
TITLE		
24' Wide Hoopouse Isometric View		
SIZE	DWG NO.	REV.
A	H24-6	C
SCALE	WEIGHT	SHEET
1:70		6 of 7



Item	Quantity	Description
1	3	1.375" OD Arc
2	1	1.375" OD Arc
3	2	1.625" OD Post

Wind Load - 65 MPH
Snow Load - 30 PSF

UNLESS OTHERWISE SPECIFIED, DIMENSIONS ARE IN INCHES .XX = ±.0- .XXX = ±.00- .XXXX = ±.000-		NAME	DATE
SURFACE FINISH		DRAWN	RICA JANE ABING
DO NOT SCALE DRAWING		CHECKED	Kevin Roberts
BREAK ALL SHARP EDGES AND REMOVE BURRS		APPROVED	
THIRD ANGLE PROJECTION		MATERIAL	FINISH
		Galvanized Steel	

Roberts Ranch Hoophouses			
TITLE 24' Wide Hoophouse Arch Exploded View			
SIZE A	DWG NO. H24-7	REV. C	
SCALE 1:50	WEIGHT	SHEET 7 of 7	